

DSP UNIT

DSP / D

PARTS LIST


■ CONTENTS


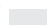
OVERALL ASSEMBLY.....	2
JK BOX ASSEMBLY	6
ELECTRICAL PARTS	7-24

Notes : DESTINATION ABBREVIATIONS

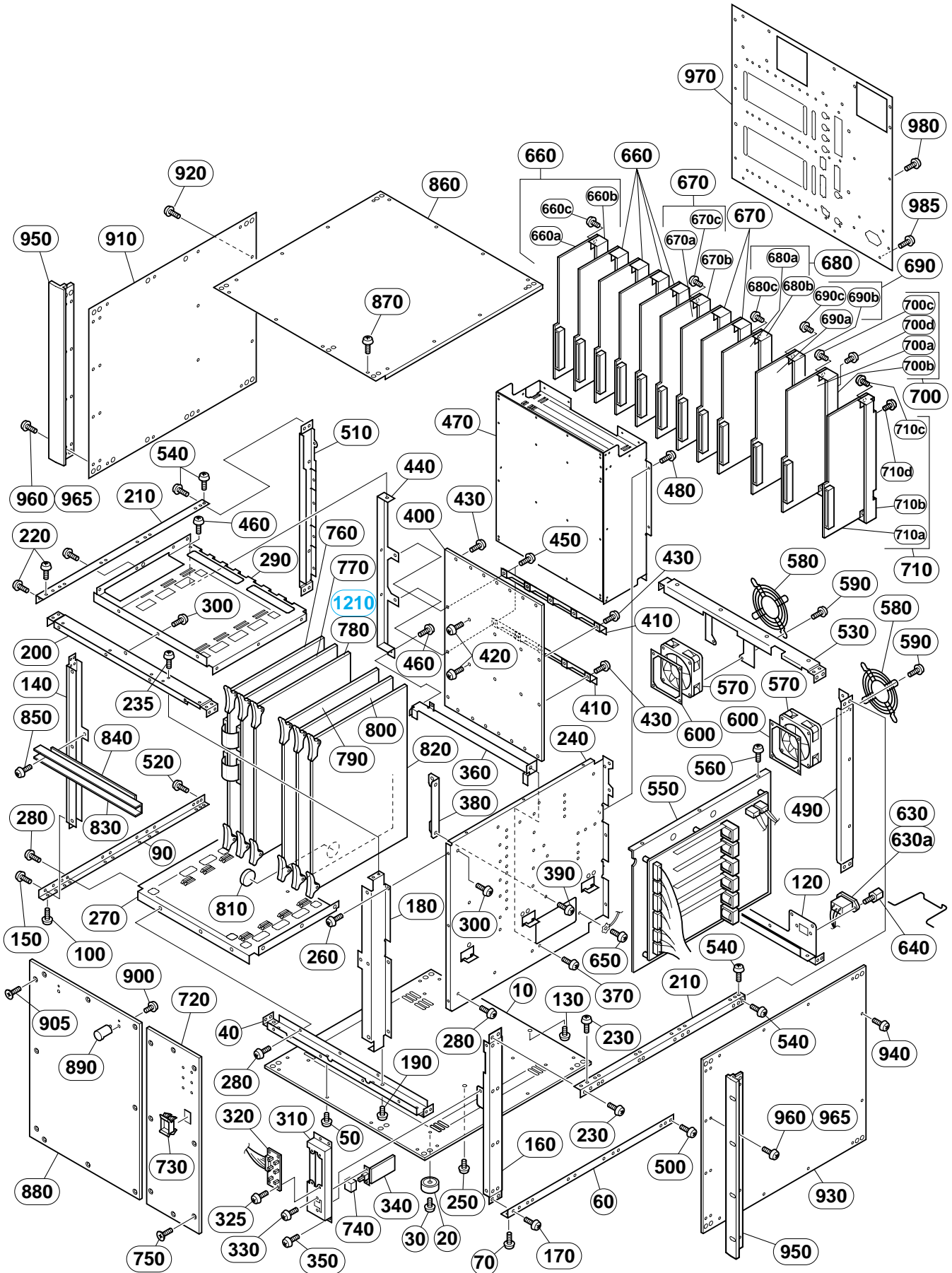
A: Australian model	M: South African model
B: British model	O: Chinese model
C: Canadian model	Q: South-east Asia model
D: German model	T: Taiwan model
E: European model	U: U.S.A. model
F: French model	V: General export model (110 V)
H: North European model	W: General export model (220 V)
I : Indonesian model	N,X: General export model
J: Japanese model	Y: Export model

■ WARNING

Components having special characteristics are marked  and must be replaced with parts having specification equal to those originally installed.

- The numbers in “QTY” show quantities for each unit.
- The parts with “- -” in “PART NO.” are not available as spare parts.
- The mark “}” in the remarks column indicates that these parts are interchangeable.
- The second letter of the shaded () part number is O, not zero.
- The second letter of the shaded () part number is I, not one.

OVERALL ASSEMBLY



REF NO.	PART NO.	DESCRIPTION	REMARKS	QTY	RANK
		OVERALL ASSEMBLY	DSP1D		
	--	Overall Assembly	DSP1D (V478200)		
	--	Overall Assembly	DSP1D-EX (V535700)		
* 10	V4783000	Bottom Plate			12
20	CB806590	Foot	BL	4	03
30	VR138400	Bind Head Tapping Screw-B	4.0X12 MFZN2BL	4	01
40	--	Frame	FR-LOW	(V510520)	
50	VC688800	Bind Head Tapping Screw-B	A4.0X8 MFZN2BL	4	01
60	--	Frame	FRONT-REAR	(V510560)	
70	VC688800	Bind Head Tapping Screw-B	A4.0X8 MFZN2BL	6	01
90	--	Frame	FRONT-REAR	(V510560)	
100	VC688800	Bind Head Tapping Screw-B	A4.0X8 MFZN2BL	6	01
120	--	Frame	RR-LOW	(V510570)	
130	VC688800	Bind Head Tapping Screw-B	A4.0X8 MFZN2BL	4	01
140	--	Frame	FR-L	(V510540)	
150	VC688800	Bind Head Tapping Screw-B	A4.0X8 MFZN2BL	2	01
160	--	Frame	FR-R	(V510550)	
170	VC688800	Bind Head Tapping Screw-B	A4.0X8 MFZN2BL	2	01
180	--	Frame	CENTER	(V478280)	
190	VC688800	Bind Head Tapping Screw-B	A4.0X8 MFZN2BL	2	01
200	--	Frame	FR-TOP	(V510530)	
210	--	Frame	FRONT-REAR	(V510560)	
220	VC688800	Bind Head Tapping Screw-B	A4.0X8 MFZN2BL	4	01
230	VC688800	Bind Head Tapping Screw-B	A4.0X8 MFZN2BL	4	01
235	VC688800	Bind Head Tapping Screw-B	A4.0X8 MFZN2BL	2	01
240	--	Middle Panel		(V478390)	
250	VC688800	Bind Head Tapping Screw-B	A4.0X8 MFZN2BL	3	01
260	VC688800	Bind Head Tapping Screw-B	A4.0X8 MFZN2BL	3	01
270	--	Guide Plate	FRONT-LOWER	(V478450)	
280	VC688800	Bind Head Tapping Screw-B	A4.0X8 MFZN2BL	9	01
290	--	Guide Plate	FRONT-UPPER	(V478460)	
300	VC688800	Bind Head Tapping Screw-B	A4.0X8 MFZN2BL	9	01
310	--	Bracket	LED-SWITCH	(V478500)	
* 320	V4439500	Circuit Board	DSP LED2 (SWCOM)		10
325	EP600230	Bind Head Tapping Screw-B	3.0X6 MFZN2BL	4	01
330	VB659000	Bind Head Screw	3.0X8 MFZN2BL	2	01
* 340	V5048000	Circuit Board	DSP PSB2 (SWCOM)		08
350	VC688800	Bind Head Tapping Screw-B	A4.0X8 MFZN2BL	4	01
360	--	Frame	FR-SUB	(V510610)	
370	VC688800	Bind Head Tapping Screw-B	A4.0X8 MFZN2BL	2	01
380	--	Bracket		(V478340)	
390	VC688800	Bind Head Tapping Screw-B	A4.0X8 MFZN2BL	2	01
* 400	V4407900	Circuit Board	DSP MB11		34
410	--	Reinforcement Angle		(V478350)	
420	EP600230	Bind Head Tapping Screw-B	3.0X6 MFZN2BL	6	01
430	EP600230	Bind Head Tapping Screw-B	3.0X6 MFZN2BL	16	01
435	VN413300	Bind Head Tapping Screw-B	3.0X8 MFZN2BL	2	01
440	--	Frame	SIDE	(V510620)	
450	VN413300	Bind Head Tapping Screw-B	3.0X8 MFZN2BL	2	01
460	VC688800	Bind Head Tapping Screw-B	A4.0X8 MFZN2BL	2	01
470	--	JK Box Assembly		(V479950)	
480	VC688800	Bind Head Tapping Screw-B	A4.0X8 MFZN2BL	4	01
490	--	Frame	RR-R	(V510600)	
500	VC688800	Bind Head Tapping Screw-B	A4.0X8 MFZN2BL	2	01
510	--	Frame	RR-L	(V510590)	
520	VC688800	Bind Head Tapping Screw-B	A4.0X8 MFZN2BL	2	01
530	--	Frame	RR-TOP	(V510580)	
540	VC688800	Bind Head Tapping Screw-B	A4.0X8 MFZN2BL	8	01
* 550	V4704900	Power Supply Unit	DSP-DC J,UL,CSA		98
560	VD831800	Bind Head Tapping Screw-B	A4.0X12 MFZN2BL	3	01
570	V5789100	Motor		Fan	09
580	--	Fan Guard		(VK94910)	
590	VG605800	Bind Head Screw	4.0X35 MFZN2BL	8	01
600	--	Fan Guide		(V510720)	
630	--	Inlet Assembly	AC INLET&VH3P	(V509940)	
* 630a	V5065200	AC Inlet	M1908-C 3P		03
640	--	Support		(V560030)	
650	VP156800	Bind Head Screw	A4.0X8 MFZN2BL	1	01
* 660	V5106500	Circuit Board Assembly	JK1		49
660a	--	Circuit Board	DSP JK1	(V410490)	

*: New Parts

RANK: Japan only

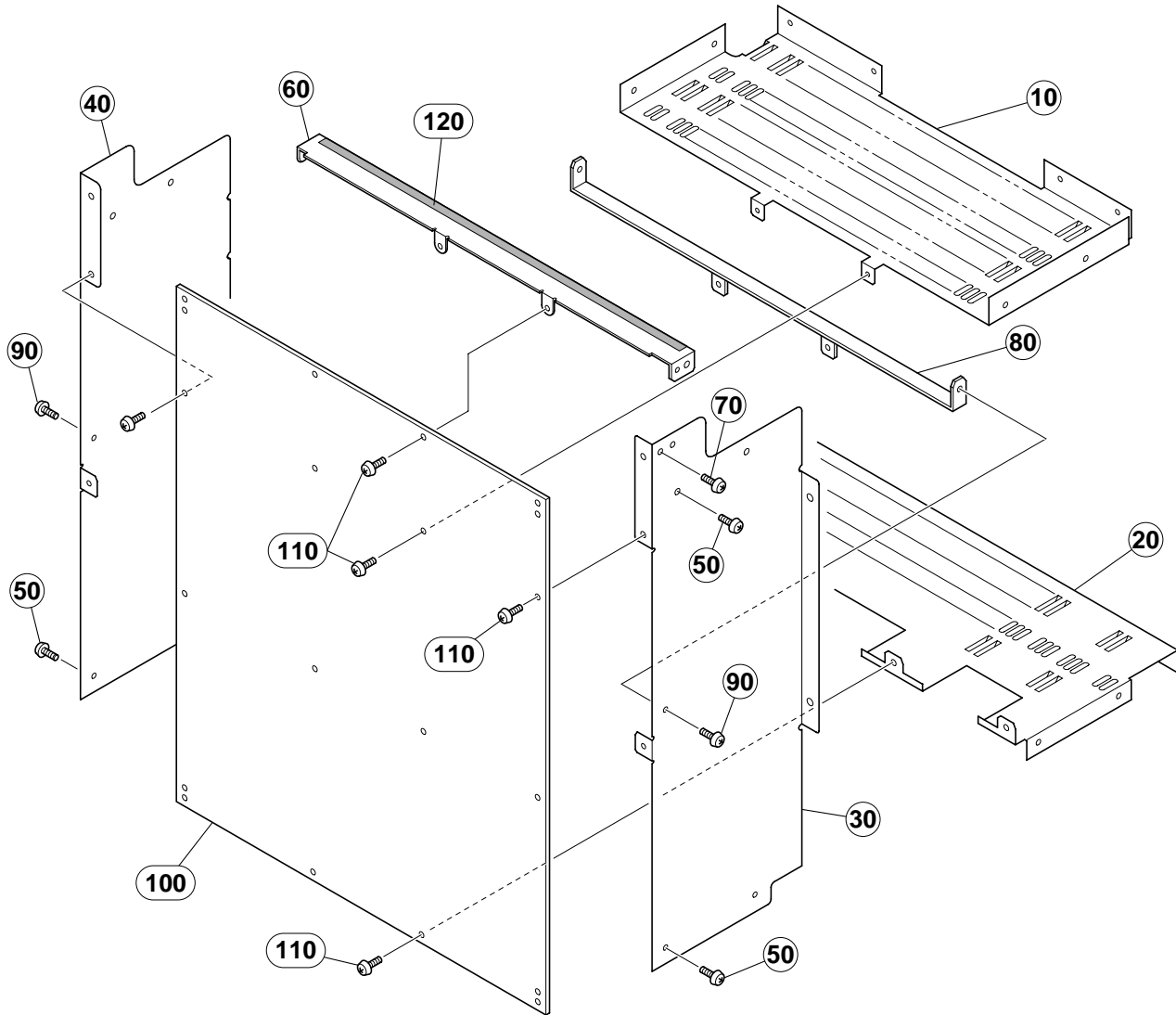
DSP1D

REF.NO.	PART NO.	DESCRIPTION		REMARKS	QTY	RANK
660b	--	F Frame	JK1-4	(V478740)		
660c	EP600230	Bind Head Tapping Screw-B	3.0X6 MFZN2BL		3	01
* 670	V5106600	Circuit Board Assembly	JK2		3	44
670a	--	Circuit Board	DSP JK2	(V410500)		
670b	--	F Frame	JK1-4	(V478740)		
670c	EP600230	Bind Head Tapping Screw-B	3.0X6 MFZN2BL		3	01
* 680	V5106700	Circuit Board Assembly	JK3			51
680a	--	Circuit Board	DSP JK3	(V410510)		
680b	--	F Frame	DSP1D	(V478740)		
680c	EP600230	Bind Head Tapping Screw-B	3.0X6 MFZN2BL		3	01
* 690	V5106800	Circuit Board Assembly	JK4			49
690a	--	Circuit Board	DSP JK4	(V410520)		
690b	--	F Frame	JK1-4	(V478740)		
690c	EP600230	Bind Head Tapping Screw-B	3.0X6 MFZN2BL		3	01
* 700	V5106900	Circuit Board Assembly	JK5			69
700a	--	Circuit Board	DSP JK5	(V410530)		
700b	--	F Frame	JK5	(V478750)		
700c	EP600230	Bind Head Tapping Screw-B	3.0X6 MFZN2BL		2	01
700d	VB659000	Bind Head Screw	3.0X8 MFZN2BL		6	01
* 710	V5107000	Circuit Board Assembly	JK6			40
710a	--	Circuit Board	DSP JK6	(V410540)		
710b	--	F Frame	JK6	(V478760)		
710c	EP600230	Bind Head Tapping Screw-B	3.0X6 MFZN2BL		2	01
710d	VB659000	Bind Head Screw	3.0X8 MFZN2BL		4	01
* 720	V4782500	Front Panel				13
730	VL813000	Escutcheon, Power Switch				03
740	VL812900	Power Switch Knob		POWER ON/OFF		03
750	VS153600	Oval Head Screw	4.0X8 MFZN2BL		8	01
* 760	V4112800	Circuit Board	DSP PDB			
* 770	V4112500	Circuit Board	DSP GDB			
* 780	V4112600	Circuit Board	DSP IDB			
* 790	V4112700	Circuit Board	DSP EDB			
* 800	V4407400	Circuit Board	DSP EMB			
810	VN103500	Lithium Battery	CR2032			03
* 820	V4407500	Circuit Board	DSP CIB			
830	--	Reinforcement Angle		(V478540)		
840	--	Cushion		(V478550)		
850	VP156800	Bind Head Screw	A4.0X8 MFZN2BL		2	01
* 860	V4783100	Top Cover				15
870	VC688800	Bind Head Tapping Screw-B	A4.0X8 MFZN2BL		16	01
* 880	V4782600	Front Cover				17
890	VV441000	Knob	BL		2	01
900	VQ074600	Bind Head Tapping Screw-B	3.0X12 MFZN2BL		2	01
905	VS153600	Oval Head Screw	4.0X8 MFZN2BL		10	01
* 910	V5106300	Side Panel	LEFT			11
920	VC688800	Bind Head Tapping Screw-B	A4.0X8 MFZN2BL		12	01
* 930	V5106400	Side Panel	RIGHT			11
940	VC688800	Bind Head Tapping Screw-B	A4.0X8 MFZN2BL		10	01
950	--	Frame		(V478210)	2	
960	VU758500	Oval Head Screw	4.0X10 MFZN2BL		16	01
* 970	V4784900	Panel	REAR			13
980	VC688800	Bind Head Tapping Screw-B	A4.0X8 MFZN2BL		58	01
985	VP156800	Bind Head Screw	A4.0X8 MFZN2BL			01
990	CB040540	Cord Binder	S-72B L=50		3	01
995	VJ770600	Cord Binder	S-126		3	01
1000	CB069250	Cord Holder	BK-1		4	01
1010	--	Connector Assembly	VH4P&VH3P	(V478020)		
	--	Connector Assembly		(V573730)		
1090	--	Flat Cable Assembly	50P	(V478110)		
1100	--	Flat Cable Assembly	50P	(V478120)		
1110	--	Flat Cable Assembly	50P L270	(V478130)		
1120	--	Flat Cable Assembly	50P L370	(V478140)		
1130	--	Flat Cable Assembly	50P L570	(V478150)		
1140	--	Flat Cable Assembly	50P L70	(V478160)		
1150	--	Flat Cable Assembly	14P	(V478180)		
1160	--	Flat Cable Assembly	30P L570	(V492490)		
1170	--	Flat Cable Assembly	30P	(V492490)		
1180	--	Connector Assembly	VH2P&VH2P	(V511230)		
1190	--	Connector Assembly	DSP-W604 2P 500	(V511240)		
* 1210	V4112600	Circuit Board	DSP IDB	DSP1D-EX		

*: New Parts

RANK: Japan only

JK BOX ASSEMBLY



REF NO.	PART NO.	DESCRIPTION		REMARKS	QTY	RANK
		JK BOX ASSEMBLY		DSP1D		
	--	JK Box Assembly		(V479950)		
10	--	Guide Plate	R-TOP	(V478470)		
20	--	Guide Plate	R-LOWER	(V478480)		
30	--	Side Panel	REAR-RH	(V478410)		
40	--	Side Panel	REAR-LH	(V478420)		
50	VC688800	Bind Head Tapping Screw-B	A4.0X8 MFZN2BL		8	01
60	--	Frame	MATHER-REAR	(V478440)		
70	VC688800	Bind Head Tapping Screw-B	A4.0X8 MFZN2BL		4	01
80	--	Reinforcement Angle	MATHER-REAR	(V478430)		
90	EP600230	Bind Head Tapping Screw-B	3.0X6 MFZN2BL		2	01
* 100	V4112900	Circuit Board	DSP IFC			68
110	EP600230	Bind Head Tapping Screw-B	3.0X6 MFZN2BL		16	01
120	--	Edging	CE-012	(VT17560)		

*: New Parts

RANK: Japan only

ELECTRICAL PARTS

REF NO.	PART NO.	DESCRIPTION	REMARKS	QTY	RANK
		ELECTRICAL PARTS	DSP1D		
*	V4407500	Circuit Board	DSP CIB (XW591B0)		
*	V4112700	Circuit Board	DSP EDB (XW348B0)		
*	V4407400	Circuit Board	DSP EMB (XW590B0)		
*	V4112500	Circuit Board	DSP GDB (XW346B0)		
*	V4112600	Circuit Board	DSP IDB (XW347B0)		
*	V4112900	Circuit Board	DSP IFC1 (XW350B0)		68
	--	Circuit Board	DSP JK1 (V410490)(XW327A0)		
	--	Circuit Board	DSP JK2 (V410500)(XW328A0)		
	--	Circuit Board	DSP JK3 (V410510)(XW329B0)		
	--	Circuit Board	DSP JK4 (V410520)(XW330A0)		
	--	Circuit Board	DSP JK5 (V410530)(XW331B0)		
	--	Circuit Board	DSP JK6 (V410540)(XW332B0)		
*	V4439500	Circuit Board	DSP LED2 (SWCOM) (XW624B0)		10
*	V5048000	Circuit Board	DSP PSB2 (SWCOM) (XW624B0)		08
*	V4407900	Circuit Board	DSP MB11 (XW592A0)		34
*	V4112800	Circuit Board	DSP PDB (XW349B0)		
*	V4407500	Circuit Board	DSP CIB (XW591B0)		
	--	Ejector	CBE-2P (V498570)	2	
	--	Heat Sink	IC-B (V579340)	4	
C101	UF118330	Electrolytic Cap. (chip)	330 6.3V UUR0J3		01
C128	UF066100	Electrolytic Cap. (chip)	1 50V		01
-131	UF066100	Electrolytic Cap. (chip)	1 50V		01
C201	UF037100	Electrolytic Cap. (chip)	10 16V		01
C202	UF037100	Electrolytic Cap. (chip)	10 16V		01
C229	UF118330	Electrolytic Cap. (chip)	330 6.3V UUR0J3		01
C231	UF037220	Electrolytic Cap. (chip)	22 16V		01
	FG652100	Ceramic Capacitor	100P 50V K		01
	FG412470	Ceramic Capacitor	470P 50V K		01
	US061200	Ceramic Capacitor-CH(chip)	20P 50V J		01
	US062680	Ceramic Capacitor-SL(chip)	680P 50V J		01
	UB012470	Monolithic Ceramic Cap.	B 470P 50V K		01
	UB013470	Monolithic Ceramic Cap.	B 4700P 50V K		01
	UB215100	Monolithic Ceramic Cap.	B 0.1 25V K		01
	UB245100	Monolithic Ceramic Cap.	F 0.1 25V Z		01
CN101	VZ581500	Header, Flat Cable	53320 96P SE		05
-103	VZ581500	Header, Flat Cable	53320 96P SE		05
CN104	VB390600	Connector Base Post	PH-10P TE		01
CN105	VB390100	Connector Base Post	PH- 5P TE		01
CN107	VB390100	Connector Base Post	PH- 5P TE		01
EM101	FZ006970	LC Filter	LS MT Y223NB		02
EM102	FZ006970	LC Filter	LS MT Y223NB		02
IC101	XP226A00	IC	IC-PST591DMT	SYSTEM RESET	03
* IC102	IS001100	IC	HD74LV11AFPEL	AND	01
* IC103	IS000400	IC	HD74LV04AFPEL	INVERTER	01
* IC104	IS000200	IC	HD74LV02AFPEL	NOR	01
IC105	XT487A00	IC	TC74VHC245F	TRANSCEIVER	03
-110	XT487A00	IC	TC74VHC245F	TRANSCEIVER	03
* IC111	IS007400	IC	HD74LV74AFPEL	D-FF	01
* IC112	XW277A00	IC	AM7992BPC	SIA	14
-115	XW277A00	IC	AM7992BPC	SIA	14
* IC116	XY114A00	IC	CY7C027-20AC	SRAM 256K	22
* IC117	IS000400	IC	HD74LV04AFPEL	INVERTER	01
* IC118	XY137A00	IC	CY7C433-25JC	FIFO 64K	10
* IC119	XY137A00	IC	CY7C433-25JC	FIFO 64K	10
IC120	XT487A00	IC	TC74VHC245F	TRANSCEIVER	03
IC121	XV242A00	IC	TC74VHCT245AF	TRANSCEIVER	03
* IC122	XY137A00	IC	CY7C433-25JC	FIFO 64K	10
* IC123	XY137A00	IC	CY7C433-25JC	FIFO 64K	10
* IC124	IS027300	IC	HD74LV273AFPEL	D-FF	02
* IC125	XW239A00	IC	EPC1	EPROM 1M	09
* IC126	XY090A00	IC	EPF10K50EQC240-3	FPGA	25
IC127	XV605A00	IC	CY7C024-15AC	SRAM 64K	19
* IC128	IS000400	IC	HD74LV04AFPEL	INVERTER	01
IC129	XY715A00	IC	HD6477042AF28	CPU	10
IC130	XT487A00	IC	TC74VHC245F	TRANSCEIVER	03
* IC131	IS000800	IC	HD74LV08AFPEL	AND	01
* IC132	XV685A00	IC	MBM29F400BC-70PFTN	FLASH ROM 4M	11
IC133	XV729A00	IC	IDT71016S15Y-TR	SRAM 1M	09

*: New Parts

RANK: Japan only

DSP1D

REF.NO.	PART NO.	DESCRIPTION		REMARKS	QTY	RANK
* IC134	IS003200	IC	HD74LV32AFPEL	OR		01
IC135	XT487A00	IC	TC74VHC245F	TRANSCEIVER		03
IC136	XV619A00	IC	ICS2008A	T.C.READER/GENERATOR		15
IC137	XT487A00	IC	TC74VHC245F	TRANSCEIVER		03
* IC138	XY114A00	IC	CY7C027-20AC	SRAM 256K		22
IC139	XY715A00	IC	HD6477042AF28	CPU		10
IC140	XV242A00	IC	TC74VHCT245AF	TRANSCEIVER		03
* IC141	IS000800	IC	HD74LV08AFPEL	AND		01
* IC142	XV685A00	IC	MBM29F400BC-70PFTN	FLASH ROM 4M		11
IC143	XV729A00	IC	IDT71016S15Y-TR	SRAM 1M		09
IC145	XT487A00	IC	TC74VHC245F	TRANSCEIVER		03
IC146	XT487A00	IC	TC74VHC245F	TRANSCEIVER		03
* IC147	XY094A00	IC	LT1118CST-2.5	REGULATOR +2.5V		08
* IC148	IS012500	IC	HD74LV125AFPEL	BUFFER		01
* IC150	IS012500	IC	HD74LV125AFPEL	BUFFER		01
* IC151	IS000400	IC	HD74LV04AFPEL	INVERTER		01
* IC152	IS013810	IC	SN74LV138ANSR	DECODER		01
* LD101	V3990300	LED (chip)	TLSU1008 RE	FOR TEST		01
* LD102	V3990300	LED (chip)	TLSU1008 RE	FOR TEST		01
RA101	RE047100	Resistor Array	10KX4			01
-103	RE047100	Resistor Array	10KX4			01
RA104	RE048100	Resistor Array	100KX4			01
RA105	RE048100	Resistor Array	100KX4			01
RA106	RE047100	Resistor Array	10KX4			01
-109	RE047100	Resistor Array	10KX4			01
RA110	RE048100	Resistor Array	100KX4			01
RA111	RE048100	Resistor Array	100KX4			01
RA112	RE047100	Resistor Array	10KX4			01
-119	RE047100	Resistor Array	10KX4			01
RA122	RE046100	Resistor Array	1KX4			01
RA123	RE046100	Resistor Array	1KX4			01
RA124	RE047100	Resistor Array	10KX4			01
-139	RE047100	Resistor Array	10KX4			01
RA141	RE047100	Resistor Array	10KX4			01
-146	RE047100	Resistor Array	10KX4			01
RA148	RE047100	Resistor Array	10KX4			01
RA149	RE047100	Resistor Array	10KX4			01
RA150	RE048100	Resistor Array	100KX4			01
RA151	RE048100	Resistor Array	100KX4			01
RA152	RE047100	Resistor Array	10KX4			01
-164	RE047100	Resistor Array	10KX4			01
RA166	RE047100	Resistor Array	10KX4			01
-173	RE047100	Resistor Array	10KX4			01
RA174	RE048100	Resistor Array	100KX4			01
RA176	RE048100	Resistor Array	100KX4			01
RA177	RE046470	Resistor Array	4.7KX4			01
-182	RE046470	Resistor Array	4.7KX4			01
RA184	RE046470	Resistor Array	4.7KX4			01
-187	RE046470	Resistor Array	4.7KX4			01
* SC125	VV047100	IC Socket	DICF-8CS-E			01
SW101	VQ949900	Switch dip.	SSGM18151A	FUNCTION		03
* X101	VZ568000	Quartz Crystal Unit	40MHz DSO751S			06
* X102	V3990700	Ceramic Resonator	CSTCC7.16MG0H6-TC			01
X103	VZ751900	Quartz Crystal Unit	14.31818MHz SMD-49			03
* X104	V3990700	Ceramic Resonator	CSTCC7.16MG0H6-TC			01
	RD250000	Carbon Resistor (chip)	0.0 0.0 J			01
	RD254200	Carbon Resistor (chip)	20.0 0.1 J			01
	RD254390	Carbon Resistor (chip)	39.0 0.1 J			01
	RD255220	Carbon Resistor (chip)	220.0 0.1 J			01
	RD255510	Carbon Resistor (chip)	510.0 0.1 J			01
	RD256300	Carbon Resistor (chip)	3.0K 0.1 J			01
	RD257100	Carbon Resistor (chip)	10.0K 0.1 J			01
	V4112700	Circuit Board	DSP EDB	(XW348B0)		
	--	Ejector	CBE-2P	(V498570)	2	
C650	UF118330	Electrolytic Cap. (chip)	330 6.3V UUR0J3			01
C651	UF118330	Electrolytic Cap. (chip)	330 6.3V UUR0J3			01
	UB012470	Monolithic Ceramic Cap.	B 470P 50V K			01
	UB245100	Monolithic Ceramic Cap.	F 0.1 25V Z			01
CN100	VB858400	Connector Base Post	PH- 5P SE			01

*: New Parts

RANK: Japan only

REF NO.	PART NO.	DESCRIPTION		REMARKS	QTY	RANK
CN250	VB390600	Connector Base Post	PH-10P TE			01
CN650	VZ581500	Header, Flat Cable	53320 96P SE			05
-652	VZ581500	Header, Flat Cable	53320 96P SE			05
EM650	FZ006970	LC Filter	LS MT Y223NB			02
EM651	FZ006970	LC Filter	LS MT Y223NB			02
IC100	XY715A00	IC	HD6477042AF28	CPU		10
IC101	XT487A00	IC	TC74VHC245F	TRANSCEIVER		03
IC102	XY837A00	IC	IC-PST593DMT	SYSTEM RESET		02
IC103	XV729A00	IC	IDT71016S15Y-TR	SRAM 1M		09
* IC104	XV685A00	IC	MBM29F400BC-70PFTN	FLASH ROM 4M		11
* IC105	IS003200	IC	HD74LV32AFPEL	OR		01
* IC106	IS000800	IC	HD74LV08AFPEL	AND		01
* IC107	IS000800	IC	HD74LV08AFPEL	AND		01
* IC109	IS000400	IC	HD74LV04AFPEL	INVERTER		01
* IC110	IS000500	IC	HD74LV05AFPEL	INVERTER		01
IC250	XV242A00	IC	TC74VHCT245AF	TRANSCEIVER		03
IC251	XV242A00	IC	TC74VHCT245AF	TRANSCEIVER		03
IC252	XT487A00	IC	TC74VHC245F	TRANSCEIVER		03
IC253	XT487A00	IC	TC74VHC245F	TRANSCEIVER		03
* IC254	XY732B00	IC	EPM7128AETC144-12	FPGA		03
IC255	XV242A00	IC	TC74VHCT245AF	TRANSCEIVER		03
-260	XV242A00	IC	TC74VHCT245AF	TRANSCEIVER		03
IC300	XV988A00	IC	YSS910-S	DSP6		10
IC301	XV077A00	IC	MSM514260C-60JS	DRAM 4M		07
-303	XV077A00	IC	MSM514260C-60JS	DRAM 4M		07
IC304	XV988A00	IC	YSS910-S	DSP6		10
IC305	XV077A00	IC	MSM514260C-60JS	DRAM 4M		07
IC306	XT487A00	IC	TC74VHC245F	TRANSCEIVER		03
IC307	XT487A00	IC	TC74VHC245F	TRANSCEIVER		03
IC350	XV988A00	IC	YSS910-S	DSP6		10
IC351	XV077A00	IC	MSM514260C-60JS	DRAM 4M		07
-353	XV077A00	IC	MSM514260C-60JS	DRAM 4M		07
IC354	XV988A00	IC	YSS910-S	DSP6		10
IC355	XV077A00	IC	MSM514260C-60JS	DRAM 4M		07
IC400	XV988A00	IC	YSS910-S	DSP6		10
IC401	XV077A00	IC	MSM514260C-60JS	DRAM 4M		07
-403	XV077A00	IC	MSM514260C-60JS	DRAM 4M		07
IC404	XV988A00	IC	YSS910-S	DSP6		10
IC405	XV077A00	IC	MSM514260C-60JS	DRAM 4M		07
IC450	XV988A00	IC	YSS910-S	DSP6		10
IC451	XV077A00	IC	MSM514260C-60JS	DRAM 4M		07
-453	XV077A00	IC	MSM514260C-60JS	DRAM 4M		07
IC454	XV988A00	IC	YSS910-S	DSP6		10
IC455	XV077A00	IC	MSM514260C-60JS	DRAM 4M		07
IC500	XV988A00	IC	YSS910-S	DSP6		10
IC501	XV077A00	IC	MSM514260C-60JS	DRAM 4M		07
IC502	XV077A00	IC	MSM514260C-60JS	DRAM 4M		07
IC503	XV988A00	IC	YSS910-S	DSP6		10
IC550	XV988A00	IC	YSS910-S	DSP6		10
IC551	XV077A00	IC	MSM514260C-60JS	DRAM 4M		07
IC552	XV077A00	IC	MSM514260C-60JS	DRAM 4M		07
IC553	XV988A00	IC	YSS910-S	DSP6		10
IC600	XT487A00	IC	TC74VHC245F	TRANSCEIVER		03
-605	XT487A00	IC	TC74VHC245F	TRANSCEIVER		03
* IC606	XV242A00	IC	HD74LV245AF	TRANSCEIVER		03
* LD100	V4095700	LED	PG1113F GR	MONI1-4		01
* -103	V4095700	LED	PG1113F GR			01
RA100	RE047100	Resistor Array	10KX4			01
-115	RE047100	Resistor Array	10KX4			01
RA250	RE047100	Resistor Array	10KX4			01
-258	RE047100	Resistor Array	10KX4			01
RA259	RE048100	Resistor Array	100KX4			01
-262	RE048100	Resistor Array	100KX4			01
RA264	RE047100	Resistor Array	10KX4			01
-266	RE047100	Resistor Array	10KX4			01
RA268	RE047100	Resistor Array	10KX4			01
RA270	RE047100	Resistor Array	10KX4			01
RA272	RE047100	Resistor Array	10KX4			01
-275	RE047100	Resistor Array	10KX4			01
RA300	RE047100	Resistor Array	10KX4			01

*: New Parts

RANK: Japan only

DSP1D

REF NO.	PART NO.	DESCRIPTION		REMARKS	QTY	RANK
-315	RE047100	Resistor Array	10KX4			01
RA350	RE047100	Resistor Array	10KX4			01
-365	RE047100	Resistor Array	10KX4			01
RA400	RE047100	Resistor Array	10KX4			01
-415	RE047100	Resistor Array	10KX4			01
RA450	RE047100	Resistor Array	10KX4			01
-465	RE047100	Resistor Array	10KX4			01
RA500	RE047100	Resistor Array	10KX4			01
-507	RE047100	Resistor Array	10KX4			01
RA550	RE047100	Resistor Array	10KX4			01
-557	RE047100	Resistor Array	10KX4			01
RA600	RE048100	Resistor Array	100KX4			01
-606	RE048100	Resistor Array	100KX4			01
TP558	VE340300	Test Pin	IRS-1169			01
TP561	VE340300	Test Pin	IRS-1169			01
TP562	VE340300	Test Pin	IRS-1169			01
* X100	V3990700	Ceramic Resonator	CSTCC7.16MG0H6-TC			01
X300	VZ156100	Quartz Crystal Unit	60MHz DSO751S			06
	RD250000	Carbon Resistor (chip)	0.0 0.0 J			01
	RD255200	Carbon Resistor (chip)	200.0 0.1 J			01
	RD255330	Carbon Resistor (chip)	330.0 0.1 J			01
	RD256300	Carbon Resistor (chip)	3.0K 0.1 J			01
	RD257100	Carbon Resistor (chip)	10.0K 0.1 J			01
*	V4407400	Circuit Board	DSP EMB	(XW590B0)		
	--	Ejector	CBE-2P	(V498570)	2	
BT101	VN103600	Battery Holder	CR2032			03
C101	UF118330	Electrolytic Cap. (chip)	330 6.3V UUR0J3			01
C136	UF037330	Electrolytic Cap. (chip)	33 16V			01
C138	UF037100	Electrolytic Cap. (chip)	10 16V			01
C139	UF037100	Electrolytic Cap. (chip)	10 16V			01
C190	UF118330	Electrolytic Cap. (chip)	330 6.3V UUR0J3			01
*	FG452100	Ceramic Capacitor	100P 50V K			
*	FG612180	Ceramic Capacitor	180P 50V K			
*	FG452270	Ceramic Capacitor	270P 50V K			
*	FG612560	Ceramic Capacitor	560P 50V K			01
*	UB051200	Monolithic Ceramic Cap.	SL 20P 50V J			01
	UB012470	Monolithic Ceramic Cap.	B 470P 50V K			01
	UB245100	Monolithic Ceramic Cap.	F 0.1 25V Z			01
CN101	VZ581500	Header, Flat Cable	53320 96P SE			05
-103	VZ581500	Header, Flat Cable	53320 96P SE			05
CN104	VB390100	Connector Base Post	PH- 5P TE			01
CN105	VB390100	Connector Base Post	PH- 5P TE			01
CN106	VB390600	Connector Base Post	PH-10P TE			01
D101	VT332900	Diode	1SS355 TE-17			01
DA101	VV556300	Diode Array	DAN217 0.3A X2			01
EM101	FZ006970	LC Filter	LS MT Y223NB			02
EM102	FZ006970	LC Filter	LS MT Y223NB			02
* IC101	IS000000	IC	HD74LV00AFPEL	NAND		01
IC102	XT487A00	IC	TC74VHC245F	TRANSCEIVER		03
-104	XT487A00	IC	TC74VHC245F	TRANSCEIVER		03
* IC105	IS000000	IC	HD74LV00AFPEL	NAND		01
IC106	XQ970A00	IC	HD74HC30FPTL	NAND		01
* IC107	IS000400	IC	HD74LV04AFPEL	INVERTER		01
* IC108	IS000400	IC	HD74LV04AFPEL	INVERTER		01
IC109	XT487A00	IC	TC74VHC245F	TRANSCEIVER		03
-112	XT487A00	IC	TC74VHC245F	TRANSCEIVER		03
* IC113	XY114A00	IC	CY7C027-20AC	SRAM 512K		22
IC114	XY716A00	IC	HD6477043AF33	CPU		12
IC115	XT487A00	IC	TC74VHC245F	TRANSCEIVER		03
* IC116	IS000800	IC	HD74LV08AFPEL	AND		01
* IC117	IS000800	IC	HD74LV08AFPEL	AND		01
* IC118	XV685A00	IC	MBM29F400BC-70PFTN	FLASH ROM 4M		11
IC119	XV729A00	IC	IDT71016S15Y-TR	SRAM 1M		09
IC120	XV729A00	IC	IDT71016S15Y-TR	SRAM 1M		09
IC121	XN797A00	IC	NJM2082M(T1)	OP AMP		02
* IC122	IS003200	IC	HD74LV32AFPEL	OR		01
IC123	XI686A00	IC	M62021FP	SYSTEM RESET		04
IC124	XW303A00	IC	HM628512BLFP-5SL	SRAM 4M		15
IC125	XW303A00	IC	HM628512BLFP-5SL	SRAM 4M		15

*: New Parts

RANK: Japan only

REF NO.	PART NO.	DESCRIPTION		REMARKS	QTY	RANK
IC126	XV605A00	IC	CY7C024-15AC	SRAM 64K		19
IC127	XY715A00	IC	HD6477042AF28	CPU		10
IC128	XT487A00	IC	TC74VHC245F	TRANSCEIVER		03
* IC129	IS000800	IC	HD74LV08AFPEL	AND		01
* IC130	XV685A00	IC	MBM29F400BC-70PFTN	FLASH ROM 4M		11
IC131	XV729A00	IC	IDT71016S15Y-TR	SRAM 1M		09
* IC132	IS001100	IC	HD74LV11AFPEL	AND		01
IC133	XY727A00	IC	EPM7128AETC100-10	FPGA		11
IC134	XT487A00	IC	TC74VHC245F	TRANSCEIVER		03
IC135	XY728A00	IC	EPM7128AETC100-10	FPGA		11
* IC136	IS027300	IC	HD74LV273AFPEL	D-FF		02
IC137	XT487A00	IC	TC74VHC245F	TRANSCEIVER		03
-147	XT487A00	IC	TC74VHC245F	TRANSCEIVER		03
* IC149	IS012500	IC	HD74LV125AFPEL	BUFFER		01
* IC151	IS000400	IC	HD74LV04AFPEL	INVERTER		01
* LD101	V3990300	LED (chip)	TLSU1008 RE	FOR TEST		01
* LD102	V3990300	LED (chip)	TLSU1008 RE	FOR TEST		01
RA101	RE047100	Resistor Array	10KX4			01
-103	RE047100	Resistor Array	10KX4			01
RA104	RE048100	Resistor Array	100KX4			01
RA105	RE048100	Resistor Array	100KX4			01
RA106	RE047100	Resistor Array	10KX4			01
RA107	RE048100	Resistor Array	100KX4			01
RA108	RE048100	Resistor Array	100KX4			01
RA109	RE047100	Resistor Array	10KX4			01
-135	RE047100	Resistor Array	10KX4			01
RA137	RE047100	Resistor Array	10KX4			01
-149	RE047100	Resistor Array	10KX4			01
RA151	RE047100	Resistor Array	10KX4			01
-160	RE047100	Resistor Array	10KX4			01
RA161	RE046100	Resistor Array	1KX4			01
RA164	RE047100	Resistor Array	10KX4			01
RA166	RE047100	Resistor Array	10KX4			01
-168	RE047100	Resistor Array	10KX4			01
RA169	RE048100	Resistor Array	100KX4			01
-178	RE048100	Resistor Array	100KX4			01
RA179	RE047100	Resistor Array	10KX4			01
-190	RE047100	Resistor Array	10KX4			01
SW101	VQ949900	Switch	SSGM18151A	FUNTION		03
* X101	V4038900	Quartz Crystal Unit	8.27MHz SMD-49			03
* X102	V3990700	Ceramic Resonator	CSTCC7.16MG0H6-TC			01
	RD254200	Carbon Resistor (chip)	20.0 0.1 J			01
	RD255220	Carbon Resistor (chip)	220.0 0.1 J			01
	RD256100	Carbon Resistor (chip)	1.0K 0.1 J			01
	RD256300	Carbon Resistor (chip)	3.0K 0.1 J			01
	RD257100	Carbon Resistor (chip)	10.0K 0.1 J			01
	RD259470	Carbon Resistor (chip)	4.7M 0.1 J			01
	V4112500	Circuit Board	DSP GDB	(XW346B0)		
	--	Ejector	CBE-2P	(V498570)	2	
C950	UF118330	Electrolytic Cap. (chip)	330 6.3V UUR0J3			01
C951	UF118330	Electrolytic Cap. (chip)	330 6.3V UUR0J3			01
	UB012470	Monolithic Ceramic Cap.	B 470P 50V K			01
	UB245100	Monolithic Ceramic Cap.	F 0.1 25V Z			01
CN100	VB858400	Connector Base Post	PH- 5P SE			01
CN200	VB390600	Connector Base Post	PH-10P TE			01
CN900	--	Header, Flat Cable	5342 50P SE	(V419270)		
CN901	--	Header, Flat Cable	5342 50P SE	(V419270)		
CN902	VZ581500	Header, Flat Cable	53320 96P SE			05
-904	VZ581500	Header, Flat Cable	53320 96P SE			05
EM950	FZ006970	LC Filter	LS MT Y223NB			02
EM951	FZ006970	LC Filter	LS MT Y223NB			02
IC100	XY715A00	IC	HD6477042AF28	CPU		10
IC101	XY837A00	IC	IC-PST593DMT	SYSTEM RESET		02
IC102	XT487A00	IC	TC74VHC245F	TRANSCEIVER		03
IC103	XV729A00	IC	IDT71016S15Y-TR	SRAM 1M		09
* IC104	XV685A00	IC	MBM29F400BC-70PFTN	FLASH ROM 4M		11
* IC106	IS000800	IC	HD74LV08AFPEL	AND		01
* IC107	IS000800	IC	HD74LV08AFPEL	AND		01
* IC108	IS003200	IC	HD74LV32AFPEL	OR		01

*: New Parts

RANK: Japan only

DSP1D

REF.NO.	PART NO.	DESCRIPTION		REMARKS	QTY	RANK
* IC109	IS000400	IC	HD74LV04AFPEL	INVERTER		01
* IC110	IS000500	IC	HD74LV05AFPEL	INVERTER		01
* IC200	XY730B00	IC	EPM7128AETC144-10	FPGA		
IC220	XV242A00	IC	TC74VHCT245AF	TRANSCEIVER		03
-224	XV242A00	IC	TC74VHCT245AF	TRANSCEIVER		03
IC225	XT487A00	IC	TC74VHC245F	TRANSCEIVER		03
IC226	XV242A00	IC	TC74VHCT245AF	TRANSCEIVER		03
IC227	XT487A00	IC	TC74VHC245F	TRANSCEIVER		03
IC228	XV242A00	IC	TC74VHCT245AF	TRANSCEIVER		03
IC229	XV242A00	IC	TC74VHCT245AF	TRANSCEIVER		03
* IC250	XV989A00	IC	YSS904-F	DSP5		11
* IC251	XV989A00	IC	YSS904-F	DSP5		11
IC300	XV988A00	IC	YSS910-S	DSP6		10
IC301	XV932A00	IC	MSM5118160D-60J	DRAM 16M		12
IC302	XV932A00	IC	MSM5118160D-60J	DRAM 16M		12
IC303	XT487A00	IC	TC74VHC245F	TRANSCEIVER		03
IC304	XT487A00	IC	TC74VHC245F	TRANSCEIVER		03
IC305	XV988A00	IC	YSS910-S	DSP6		10
IC350	XV988A00	IC	YSS910-S	DSP6		10
IC351	XV988A00	IC	YSS910-S	DSP6		10
IC400	XV988A00	IC	YSS910-S	DSP6		10
IC401	XV932A00	IC	MSM5118160D-60J	DRAM 16M		12
IC402	XV932A00	IC	MSM5118160D-60J	DRAM 16M		12
IC403	XV988A00	IC	YSS910-S	DSP6		10
IC450	XV988A00	IC	YSS910-S	DSP6		10
IC451	XV988A00	IC	YSS910-S	DSP6		10
IC500	XV988A00	IC	YSS910-S	DSP6		10
IC501	XV932A00	IC	MSM5118160D-60J	DRAM 16M		12
IC502	XV932A00	IC	MSM5118160D-60J	DRAM 16M		12
IC503	XV988A00	IC	YSS910-S	DSP6		10
IC550	XV988A00	IC	YSS910-S	DSP6		10
IC551	XV988A00	IC	YSS910-S	DSP6		10
IC600	XV988A00	IC	YSS910-S	DSP6		10
IC601	XV077A00	IC	MSM514260C-60JS	DRAM 4M		07
IC602	XV077A00	IC	MSM514260C-60JS	DRAM 4M		07
* IC650	XV989A00	IC	YSS904-F	DSP5		11
* IC651	XV989A00	IC	YSS904-F	DSP5		11
* IC750	XV989A00	IC	YSS904-F	DSP5		11
* IC751	XV989A00	IC	YSS904-F	DSP5		11
* IC800	XV989A00	IC	YSS904-F	DSP5		11
IC850	XT487A00	IC	TC74VHC245F	TRANSCEIVER		03
-867	XT487A00	IC	TC74VHC245F	TRANSCEIVER		03
IC868	XV242A00	IC	TC74VHCT245AF	TRANSCEIVER		03
IC869	XT487A00	IC	TC74VHC245F	TRANSCEIVER		03
-871	XT487A00	IC	TC74VHC245F	TRANSCEIVER		03
* LD100	V4095700	LED	PG1113F GR	MONI1-4		01
* -103	V4095700	LED	PG1113F GR			01
RA100	RE047100	Resistor Array	10KX4			01
-114	RE047100	Resistor Array	10KX4			01
RA200	RE047100	Resistor Array	10KX4			01
-208	RE047100	Resistor Array	10KX4			01
RA213	RE047100	Resistor Array	10KX4			01
RA220	RE048100	Resistor Array	100KX4			01
-223	RE048100	Resistor Array	100KX4			01
RA224	RE047100	Resistor Array	10KX4			01
-231	RE047100	Resistor Array	10KX4			01
RA250	RE047100	Resistor Array	10KX4			01
-253	RE047100	Resistor Array	10KX4			01
RA300	RE047100	Resistor Array	10KX4			01
-307	RE047100	Resistor Array	10KX4			01
RA400	RE047100	Resistor Array	10KX4			01
-407	RE047100	Resistor Array	10KX4			01
RA500	RE047100	Resistor Array	10KX4			01
-507	RE047100	Resistor Array	10KX4			01
RA600	RE047100	Resistor Array	10KX4			01
-607	RE047100	Resistor Array	10KX4			01
RA650	RE047100	Resistor Array	10KX4			01
-661	RE047100	Resistor Array	10KX4			01
RA750	RE047100	Resistor Array	10KX4			01
-752	RE047100	Resistor Array	10KX4			01

*: New Parts

RANK: Japan only

REF NO.	PART NO.	DESCRIPTION		REMARKS	QTY	RANK
RA800	RE047100	Resistor Array	10KX4			01
RA850	RE048100	Resistor Array	100KX4			01
-875	RE048100	Resistor Array	100KX4			01
TP604	VE340300	Test Pin	IRS-1169			01
TP605	VE340300	Test Pin	IRS-1169			01
TP606	VE340300	Test Pin	IRS-1169			01
* X100	V3990700	Ceramic Resonator	CSTCC7.16MG0H6-TC			01
X300	VZ156100	Quartz Crystal Unit	60MHz DSO751S			06
	RD250000	Carbon Resistor (chip)	0.0 0.0 J			01
	RD255200	Carbon Resistor (chip)	200.0 0.1 J			01
	RD255220	Carbon Resistor (chip)	220.0 0.1 J			01
	RD255330	Carbon Resistor (chip)	330.0 0.1 J			01
	RD256300	Carbon Resistor (chip)	3.0K 0.1 J			01
	RD257100	Carbon Resistor (chip)	10.0K 0.1 J			01
	RD157100	Carbon Resistor (chip)	10.0K 1/4 J			01
* V4112600		Circuit Board	DSP IDB	(XW347B0)		
	--	Ejector	CBE-2P	(V498570)	2	
C950	UF118330	Electrolytic Cap. (chip)	330 6.3V UUR0J3			01
C951	UF118330	Electrolytic Cap. (chip)	330 6.3V UUR0J3			01
	UB012470	Monolithic Ceramic Cap.	B 470P 50V K			01
	UB245100	Monolithic Ceramic Cap.	F 0.1 25V Z			01
CN1	VZ581500	Header, Flat Cable	53320 96P SE			05
-3	VZ581500	Header, Flat Cable	53320 96P SE			05
CN100	VB858400	Connector Base Post	PH- 5P SE			01
CN200	VB390600	Connector Base Post	PH-10P TE			01
EM950	FZ006970	LC Filter	LS MT Y223NB			02
EM951	FZ006970	LC Filter	LS MT Y223NB			02
IC100	XY715A00	IC	HD6477042AF28	CPU		10
IC101	XY837A00	IC	IC-PST593DMT	SYSTEM RESET		02
IC102	XT487A00	IC	TC74VHC245F	TRANSCEIVER		03
IC103	XV729A00	IC	IDT71016S15Y-TR	SRAM 1M		09
* IC104	XV685A00	IC	MBM29F400BC-70PFTN	FLASH ROM 4M		11
* IC111	IS000400	IC	HD74LV04AFPEL	INVERTER		01
* IC112	IS003200	IC	HD74LV32AFPEL	OR		01
* IC113	IS003200	IC	HD74LV32AFPEL	OR		01
* IC114	IS000800	IC	HD74LV08AFPEL	AND		01
* IC115	IS000800	IC	HD74LV08AFPEL	AND		01
* IC116	IS000500	IC	HD74LV05AFPEL	INVERTER		01
* IC200	XY731B00	IC	EPM7128AETC144-12	FPGA		
* IC220	XV242A00	IC	TC74VHCT245AF	TRANSCEIVER		03
IC221	XT487A00	IC	TC74VHC245F	TRANSCEIVER		03
-223	XT487A00	IC	TC74VHC245F	TRANSCEIVER		03
* IC224	XV242A00	IC	TC74VHCT245AF	TRANSCEIVER		03
IC225	XT487A00	IC	TC74VHC245F	TRANSCEIVER		03
* IC226	XV242A00	IC	TC74VHCT245AF	TRANSCEIVER		03
IC227	XT487A00	IC	TC74VHC245F	TRANSCEIVER		03
-232	XT487A00	IC	TC74VHC245F	TRANSCEIVER		03
IC250	XV988A00	IC	YSS910-S	DSP6		10
IC251	XV932A00	IC	MSM5118160D-60J	DRAM 16M		12
IC252	XV932A00	IC	MSM5118160D-60J	DRAM 16M		12
IC253	XT487A00	IC	TC74VHC245F	TRANSCEIVER		03
IC254	XT487A00	IC	TC74VHC245F	TRANSCEIVER		03
IC255	XV988A00	IC	YSS910-S	DSP6		10
IC300	XV988A00	IC	YSS910-S	DSP6		10
IC301	XV988A00	IC	YSS910-S	DSP6		10
IC350	XV988A00	IC	YSS910-S	DSP6		10
IC351	XV988A00	IC	YSS910-S	DSP6		10
IC400	XV988A00	IC	YSS910-S	DSP6		10
IC401	XV988A00	IC	YSS910-S	DSP6		10
IC450	XV988A00	IC	YSS910-S	DSP6		10
IC451	XV932A00	IC	MSM5118160D-60J	DRAM 16M		12
IC452	XV932A00	IC	MSM5118160D-60J	DRAM 16M		12
IC453	XV988A00	IC	YSS910-S	DSP6		10
IC500	XV988A00	IC	YSS910-S	DSP6		10
IC501	XV988A00	IC	YSS910-S	DSP6		10
IC550	XV988A00	IC	YSS910-S	DSP6		10
IC551	XV988A00	IC	YSS910-S	DSP6		10
IC600	XV988A00	IC	YSS910-S	DSP6		10
IC601	XV988A00	IC	YSS910-S	DSP6		10

*: New Parts

RANK: Japan only

DSP1D

REF NO.	PART NO.	DESCRIPTION		REMARKS	QTY	RANK
* IC650	XV989A00	IC	YSS904-F	DSP5		11
* IC651	XV989A00	IC	YSS904-F	DSP5		11
* IC700	XV989A00	IC	YSS904-F	DSP5		11
* IC701	XV989A00	IC	YSS904-F	DSP5		11
* IC750	XV989A00	IC	YSS904-F	DSP5		11
* IC751	XV989A00	IC	YSS904-F	DSP5		11
* IC800	XV989A00	IC	YSS904-F	DSP5		11
* IC801	XV989A00	IC	YSS904-F	DSP5		11
IC850	XT487A00	IC	TC74VHC245F	TRANSCEIVER		03
-854	XT487A00	IC	TC74VHC245F	TRANSCEIVER		03
* IC855	XT800A00	IC	TC74VHC244F	BUFFER		03
IC856	XT487A00	IC	TC74VHC245F	TRANSCEIVER		03
-863	XT487A00	IC	TC74VHC245F	TRANSCEIVER		03
IC900	XT487A00	IC	TC74VHC245F	TRANSCEIVER		03
-911	XT487A00	IC	TC74VHC245F	TRANSCEIVER		03
IC912	XV242A00	IC	TC74VHCT245AF	TRANSCEIVER		03
IC913	XT487A00	IC	TC74VHC245F	TRANSCEIVER		03
* LD100	V4095700	LED	PG1113F GR	MONI1-4		01
* -103	V4095700	LED	PG1113F GR			01
RA100	RE047100	Resistor Array	10KX4			01
-114	RE047100	Resistor Array	10KX4			01
RA200	RE047100	Resistor Array	10KX4			01
-208	RE047100	Resistor Array	10KX4			01
RA213	RE047100	Resistor Array	10KX4			01
RA220	RE048100	Resistor Array	100KX4			01
-223	RE048100	Resistor Array	100KX4			01
RA224	RE047100	Resistor Array	10KX4			01
-235	RE047100	Resistor Array	10KX4			01
RA250	RE047100	Resistor Array	10KX4			01
-257	RE047100	Resistor Array	10KX4			01
RA450	RE047100	Resistor Array	10KX4			01
-457	RE047100	Resistor Array	10KX4			01
RA650	RE047100	Resistor Array	10KX4			01
RA651	RE047100	Resistor Array	10KX4			01
RA700	RE047100	Resistor Array	10KX4			01
RA701	RE047100	Resistor Array	10KX4			01
RA750	RE047100	Resistor Array	10KX4			01
RA751	RE047100	Resistor Array	10KX4			01
RA800	RE047100	Resistor Array	10KX4			01
RA850	RE048100	Resistor Array	100KX4			01
-855	RE048100	Resistor Array	100KX4			01
RA856	RE047100	Resistor Array	10KX4			01
RA857	RE048100	Resistor Array	100KX4			01
-871	RE048100	Resistor Array	100KX4			01
* X100	V3990700	Ceramic Resonator	CSTCC7.16MG0H6-TC			01
X250	VZ156100	Quartz Crystal Unit	60MHz DSO751S			06
	RD250000	Carbon Resistor (chip)	0.0 0.0 J			01
	RD255150	Carbon Resistor (chip)	150.0 0.1 J			01
	RD255200	Carbon Resistor (chip)	200.0 0.1 J			01
	RD255330	Carbon Resistor (chip)	330.0 0.1 J			01
	RD256300	Carbon Resistor (chip)	3.0K 0.1 J			01
	RD257100	Carbon Resistor (chip)	10.0K 0.1 J			01
* V4112900		Circuit Board	DSP IFC1	(XW350B0)		68
C500	UF128220	Electrolytic Cap. (chip)	220 10V UUR1A2			01
C503	UF128220	Electrolytic Cap. (chip)	220 10V UUR1A2			01
C526	UF017220	Electrolytic Cap. (chip)	22 6.3V			01
C527	UF017220	Electrolytic Cap. (chip)	22 6.3V			01
C609	UF017470	Electrolytic Cap. (chip)	47 6.3V			01
C629	UF017470	Electrolytic Cap. (chip)	47 6.3V			01
C630	UF017470	Electrolytic Cap. (chip)	47 6.3V			01
C801	UF148100	Electrolytic Cap. (chip)	100 25V UUR1E1			01
C802	UF118330	Electrolytic Cap. (chip)	330 6.3V UUR0J3			01
-805	UF118330	Electrolytic Cap. (chip)	330 6.3V UUR0J3			01
C806	UF148100	Electrolytic Cap. (chip)	100 25V UUR1E1			01
	UB012470	Monolithic Ceramic Cap.	B 470P 50V K			01
	UB245100	Monolithic Ceramic Cap.	F 0.1 25V Z			01
	UB445330	Monolithic Ceramic Cap.	F 0.33 16V Z			01
	VR327300	Mylar Capacitor (chip)	0.082 16V J			01
CN100	VZ581300	Receptacle	52480 96P TE	SLOT JK1		05

*: New Parts

RANK: Japan only

REF NO.	PART NO.	DESCRIPTION		REMARKS	QTY	RANK
-104	VZ581300	Receptacle	52480 96P TE			05
CN105	LB932040	Base Post Connector	VH- 4P TE			01
CN201	VZ581300	Receptacle	52480 96P TE	SLOT JK2		05
-203	VZ581300	Receptacle	52480 96P TE			05
CN301	VZ581300	Receptacle	52480 96P TE	SLOT JK3-6		05
-304	VZ581300	Receptacle	52480 96P TE			05
CN305	LB932040	Base Post Connector	VH- 4P TE			01
CN405	LB932030	Base Post Connector	VH- 3P TE			01
CN502	VB390600	Connector Base Post	PH-10P TE			01
CN505	LB932040	Base Post Connector	VH- 4P TE			01
CN605	LB932040	Base Post Connector	VH- 4P TE			01
CN801	--	Header, Flat Cable	5332 30P TE	(V414610)		
CN802	--	Header, Flat Cable	5332 30P TE	(V414610)		
CN803	--	Header, Flat Cable	5332 50P TE	(V414590)		
-807	--	Header, Flat Cable	5332 50P TE	(V414590)		
CN808	--	Header, Flat Cable	5332 14P TE	(V419280)		
CN809	LB932020	Base Post Connector	VH- 2P TE			01
CN810	VB389900	Connector Base Post	PH- 3P TE			01
CN811	VB389900	Connector Base Post	PH- 3P TE			01
EM801	FZ006970	LC Filter	LS MT Y223NB			02
-806	FZ006970	LC Filter	LS MT Y223NB			02
IC500	XS304A00	IC	LT1117CST-3.3	REGULATOR +3.3V		07
* IC502	XW239A00	IC	EPC1	EPROM 1M		09
* IC503	XY090A00	IC	EPF10K50EQC240-3	FPGA		25
IC504	XT487A00	IC	TC74VHC245F	TRANSCEIVER		03
IC505	XT487A00	IC	TC74VHC245F	TRANSCEIVER		03
* IC506	XV242A00	IC	TC74VHCT245AF	TRANSCEIVER		03
* IC507	XV242A00	IC	TC74VHCT245AF	TRANSCEIVER		03
* IC508	XY094A00	IC	LT1118CST-2.5	REGULATOR +2.5V		08
IC509	XT487A00	IC	TC74VHC245F	TRANSCEIVER		03
* IC601	XT777A00	IC	TC74VHCT04AF	INVERTER		01
* IC602	IS000800	IC	HD74LV08AFPEL	AND		01
* IC603	XW422A00	IC	M51953AFP	SYSTEM RESET		01
IC604	XG948E00	IC	YM3436DK	DIR2		11
-606	XG948E00	IC	YM3436DK	DIR2		11
IC608	XT487A00	IC	TC74VHC245F	TRANSCEIVER		03
-610	XT487A00	IC	TC74VHC245F	TRANSCEIVER		03
IC701	XT487A00	IC	TC74VHC245F	TRANSCEIVER		03
-703	XT487A00	IC	TC74VHC245F	TRANSCEIVER		03
IC704	XV242A00	IC	TC74VHCT245AF	TRANSCEIVER		03
-706	XV242A00	IC	TC74VHCT245AF	TRANSCEIVER		03
IC707	XT487A00	IC	TC74VHC245F	TRANSCEIVER		03
-717	XT487A00	IC	TC74VHC245F	TRANSCEIVER		03
L601	VS740100	Chip Inductance	BLM21B751S 2125			03
-617	VS740100	Chip Inductance	BLM21B751S 2125			03
R600	VI196100	Metal Film Resistor (chip)	3.3K 1/10 D			01
R602	VI194600	Metal Film Resistor (chip)	750.0 1/10 D			01
R611	VI196100	Metal Film Resistor (chip)	3.3K 1/10 D			01
R613	VI196100	Metal Film Resistor (chip)	3.3K 1/10 D			01
	HF757100	Carbon Resistor	10K			01
	RD250000	Carbon Resistor (chip)	0.0 0.0 J			01
	RD255100	Carbon Resistor (chip)	100.0 0.1 J			01
	VV375100	Carbon Resistor (chip)	750.0 0.1 D			01
	VV315200	Carbon Resistor (chip)	1.5K 0.1 D			01
RA500	RE046100	Resistor Array	1KX4			01
RA501	RE047100	Resistor Array	10KX4			01
-506	RE047100	Resistor Array	10KX4			01
RA509	RE047100	Resistor Array	10KX4			01
-511	RE047100	Resistor Array	10KX4			01
RA513	RE047100	Resistor Array	10KX4			01
-515	RE047100	Resistor Array	10KX4			01
RA517	RE047100	Resistor Array	10KX4			01
RA518	RE047100	Resistor Array	10KX4			01
RA520	RE046100	Resistor Array	1KX4			01
RA521	RE047100	Resistor Array	10KX4			01
RA701	RE047100	Resistor Array	10KX4			01
-727	RE047100	Resistor Array	10KX4			01
* SC502	VV047100	IC Socket	DICF-8CS-E			01
X503	VQ248800	Quartz Crystal Unit	3119A-AQA8024.576			10
X504	VT641400	Quartz Crystal Unit	3119A-AQA8022.5792			08

*: New Parts

RANK: Japan only

DSP1D

REF.NO.	PART NO.	DESCRIPTION		REMARKS	QTY	RANK
	--	Circuit Board	DSP JK1	(V410490)(XW327A0)		
C112	UF037470	Electrolytic Cap. (chip)	47 16V			01
C135	UF037470	Electrolytic Cap. (chip)	47 16V			01
C161	UF038100	Electrolytic Cap. (chip)	100 16V			01
*	FG452270	Ceramic Capacitor	270P 50V K			
	UB245100	Monolithic Ceramic Cap.	F 0.1 25V Z			01
	UB445330	Monolithic Ceramic Cap.	F 0.33 16V Z			01
	VR327300	Mylar Capacitor (chip)	0.082 16V J			01
* CN100	V4158600	Connector	230R(SCSI) 68P SE	INPUT 1,3,5,7,9		06
* CN101	V4158600	Connector	230R(SCSI) 68P SE	INPUT 2,4,6,8,10		06
CN102	VZ581500	Header, Flat Cable	53320 96P SE			05
DA100	VV556300	Diode Array	DAN217 0.3A X2			01
-151	VV556300	Diode Array	DAN217 0.3A X2			01
DA155	VV556300	Diode Array	DAN217 0.3A X2			01
-207	VV556300	Diode Array	DAN217 0.3A X2			01
DA211	VV556300	Diode Array	DAN217 0.3A X2			01
EM100	VQ761400	EMI Filter (chip)	NFM40R01C101T1			01
EM101	VQ761400	EMI Filter (chip)	NFM40R01C101T1			01
EM102	VL534100	LC Filter	NFA81R00C101			05
-106	VL534100	LC Filter	NFA81R00C101			05
EM107	VQ761400	EMI Filter (chip)	NFM40R01C101T1			01
-110	VQ761400	EMI Filter (chip)	NFM40R01C101T1			01
EM111	VL534100	LC Filter	NFA81R00C101			05
-115	VL534100	LC Filter	NFA81R00C101			05
EM116	VQ761400	EMI Filter (chip)	NFM40R01C101T1			01
EM117	VQ761400	EMI Filter (chip)	NFM40R01C101T1			01
EM118	FZ006970	LC Filter	LS MT Y223NB			02
* IC100	IS000200	IC	HD74LV02AFPEL	NOR		01
* IC102	IS000400	IC	HD74LV04AFPEL	INVERTER		01
IC103	XU815A00	IC	DS26C32ATMX	LINE RECEIVER		06
-107	XU815A00	IC	DS26C32ATMX	LINE RECEIVER		06
IC108	XU996A00	IC	AM26LS31CNSR	LINE DRIVER		05
IC109	XU235A00	IC	SGH609080F-47F	ATSC		10
IC110	XU235A00	IC	SGH609080F-47F	ATSC		10
IC112	XG948E00	IC	YM3436DK	DIR2		11
IC113	XU815A00	IC	DS26C32ATMX	LINE RECEIVER		06
-117	XU815A00	IC	DS26C32ATMX	LINE RECEIVER		06
IC118	XU996A00	IC	AM26LS31CNSR	LINE DRIVER		05
IC119	XU235A00	IC	SGH609080F-47F	ATSC		10
IC120	XU235A00	IC	SGH609080F-47F	ATSC		10
IC121	XG948E00	IC	YM3436DK	DIR2		11
IC122	XT487A00	IC	TC74VHC245F	TRANSCEIVER		03
-124	XT487A00	IC	TC74VHC245F	TRANSCEIVER		03
* IC125	IS013910	IC	SN74LV139ANSR	COUNTER		01
* IC126	IS003200	IC	HD74LV32AFPEL	OR		01
* IC127	IS027300	IC	HD74LV273AFPEL	D-FF		02
IC128	XT487A00	IC	TC74VHC245F	TRANSCEIVER		03
-133	XT487A00	IC	TC74VHC245F	TRANSCEIVER		03
* IC140	IS000800	IC	HD74LV08AFPEL	AND		01
* IC141	IS000400	IC	HD74LV04AFPEL	INVERTER		01
* IC142	XW422A00	IC	M51953AFP	SYSTEM RESET		01
* IC143	XW422A00	IC	M51953AFP	SYSTEM RESET		01
L100	VS740100	Chip Inductance	BLM21B751S 2125			03
-116	VS740100	Chip Inductance	BLM21B751S 2125			03
RA100	RE047100	Resistor Array	10KX4			01
-109	RE047100	Resistor Array	10KX4			01
RA110	RE048100	Resistor Array	100KX4			01
RA111	RE048100	Resistor Array	100KX4			01
RA112	RE047100	Resistor Array	10KX4			01
RA113	RE047100	Resistor Array	10KX4			01
RA114	RE048100	Resistor Array	100KX4			01
RA115	RE047100	Resistor Array	10KX4			01
RA116	RE048100	Resistor Array	100KX4			01
RA117	RE048100	Resistor Array	100KX4			01
	RD254100	Carbon Resistor (chip)	10.0 0.1 J			01
	RD255100	Carbon Resistor (chip)	100.0 0.1 J			01
	RD255150	Carbon Resistor (chip)	150.0 0.1 J			01
	RD255470	Carbon Resistor (chip)	470.0 0.1 J			01
	RD256100	Carbon Resistor (chip)	1.0K 0.1 J			01

*: New Parts

RANK: Japan only

REF NO.	PART NO.	DESCRIPTION		REMARKS	QTY	RANK
	RD256330	Carbon Resistor (chip)	3.3K 0.1 J			01
	RD257100	Carbon Resistor (chip)	10.0K 0.1 J			01
	RD257220	Carbon Resistor (chip)	22.0K 0.1 J			01
	RD257470	Carbon Resistor (chip)	47.0K 0.1 J			01
	--	Circuit Board	DSP JK2	(V410500)(XW328A0)		
C123	UF037470	Electrolytic Cap. (chip)	47 16V			01
C147	UF037470	Electrolytic Cap. (chip)	47 16V			01
C160	UF038100	Electrolytic Cap. (chip)	100 16V			01
*	FG452270	Ceramic Capacitor	270P 50V K			
	UB245100	Monolithic Ceramic Cap.	F 0.1 25V Z			01
	UB445330	Monolithic Ceramic Cap.	F 0.33 16V Z			01
	VR327300	Mylar Capacitor (chip)	0.082 16V J			01
CN100	V4158600	Connector	230R(SCSI) 68P SE	OUTPUT 1,3,5		06
CN101	V4158600	Connector	230R(SCSI) 68P SE	OUTPUT 2,4,6		06
CN102	VZ581500	Header, Flat Cable	53320 96P SE			05
DA100	VV556300	Diode Array	DAN217 0.3A X2			01
DA104	VV556300	Diode Array	DAN217 0.3A X2			01
-154	VV556300	Diode Array	DAN217 0.3A X2			01
DA158	VV556300	Diode Array	DAN217 0.3A X2			01
-207	VV556300	Diode Array	DAN217 0.3A X2			01
EM100	VL534100	LC Filter	NFA81R00C101			05
-102	VL534100	LC Filter	NFA81R00C101			05
EM103	VQ761400	EMI Filter (chip)	NFM40R01C101T1			01
EM104	VQ761400	EMI Filter (chip)	NFM40R01C101T1			01
EM105	VL534100	LC Filter	NFA81R00C101			05
EM106	VL534100	LC Filter	NFA81R00C101			05
EM107	VQ761400	EMI Filter (chip)	NFM40R01C101T1			01
EM108	VQ761400	EMI Filter (chip)	NFM40R01C101T1			01
EM109	VL534100	LC Filter	NFA81R00C101			05
-111	VL534100	LC Filter	NFA81R00C101			05
EM112	VQ761400	EMI Filter (chip)	NFM40R01C101T1			01
EM113	VQ761400	EMI Filter (chip)	NFM40R01C101T1			01
EM114	VL534100	LC Filter	NFA81R00C101			05
EM115	VL534100	LC Filter	NFA81R00C101			05
EM116	VQ761400	EMI Filter (chip)	NFM40R01C101T1			01
EM117	VQ761400	EMI Filter (chip)	NFM40R01C101T1			01
EM118	FZ006970	LC Filter	LS MT Y223NB			02
IC100	XU235A00	IC	SGH609080F-47F	ATSC		10
IC101	XU235A00	IC	SGH609080F-47F	ATSC		10
IC103	XU996A00	IC	AM26LS31CNSR	LINE DRIVER		05
IC104	XU815A00	IC	DS26C32ATMX	LINE RECEIVER		06
IC105	XU996A00	IC	AM26LS31CNSR	LINE DRIVER		05
-108	XU996A00	IC	AM26LS31CNSR	LINE DRIVER		05
* IC109	IS000400	IC	HD74LV04AFPEL	INVERTER		01
IC112	XG948E00	IC	YM3436DK	DIR2		11
IC113	XU235A00	IC	SGH609080F-47F	ATSC		10
IC114	XU235A00	IC	SGH609080F-47F	ATSC		10
IC115	XU996A00	IC	AM26LS31CNSR	LINE DRIVER		05
IC116	XU815A00	IC	DS26C32ATMX	LINE RECEIVER		06
IC117	XU996A00	IC	AM26LS31CNSR	LINE DRIVER		05
-120	XU996A00	IC	AM26LS31CNSR	LINE DRIVER		05
IC121	XG948E00	IC	YM3436DK	DIR2		11
IC122	XT487A00	IC	TC74VHC245F	TRANSCEIVER		03
-124	XT487A00	IC	TC74VHC245F	TRANSCEIVER		03
* IC125	IS013910	IC	SN74LV139ANSR	COUNTER		01
* IC126	IS003200	IC	HD74LV32AFPEL	OR		01
* IC127	IS027300	IC	HD74LV273AFPEL	D-FF		02
IC128	XT487A00	IC	TC74VHC245F	TRANSCEIVER		03
-134	XT487A00	IC	TC74VHC245F	TRANSCEIVER		03
* IC140	IS000800	IC	HD74LV08AFPEL	AND		01
* IC141	IS000400	IC	HD74LV04AFPEL	INVERTER		01
* IC142	XW422A00	IC	M51953AFP	SYSTEM RESET		01
* IC143	XW422A00	IC	M51953AFP	SYSTEM RESET		01
L100	VS740100	Chip Inductance	BLM21B751S 2125			03
-110	VS740100	Chip Inductance	BLM21B751S 2125			03
RA100	RE048100	Resistor Array	100KX4			01
RA101	RE048100	Resistor Array	100KX4			01
RA102	RE047100	Resistor Array	10KX4			01
RA103	RE047100	Resistor Array	10KX4			01

*: New Parts

RANK: Japan only

DSP1D

REF.NO.	PART NO.	DESCRIPTION		REMARKS	QTY	RANK
RA104	RE048100	Resistor Array	100KX4			01
RA105	RE047100	Resistor Array	10KX4			01
RA106	RE048100	Resistor Array	100KX4			01
RA107	RE048100	Resistor Array	100KX4			01
RA109	RE047100	Resistor Array	10KX4			01
-112	RE047100	Resistor Array	10KX4			01
	RD254100	Carbon Resistor (chip)	10.0 0.1 J			01
	RD255100	Carbon Resistor (chip)	100.0 0.1 J			01
	RD255150	Carbon Resistor (chip)	150.0 0.1 J			01
	RD255470	Carbon Resistor (chip)	470.0 0.1 J			01
	RD256100	Carbon Resistor (chip)	1.0K 0.1 J			01
	RD256330	Carbon Resistor (chip)	3.3K 0.1 J			01
	RD257100	Carbon Resistor (chip)	10.0K 0.1 J			01
	RD257220	Carbon Resistor (chip)	22.0K 0.1 J			01
	RD257470	Carbon Resistor (chip)	47.0K 0.1 J			01
	--	Circuit Board	DSP JK3	(V410510)(XW329B0)		
C111	UF037470	Electrolytic Cap. (chip)	47 16V			01
C151	UF037470	Electrolytic Cap. (chip)	47 16V			01
C165	UF038100	Electrolytic Cap. (chip)	100 16V			01
*	FG452270	Ceramic Capacitor	270P 50V K			
	UB245100	Monolithic Ceramic Cap.	F 0.1 25V Z			01
	UB445330	Monolithic Ceramic Cap.	F 0.33 16V Z			01
	VR327300	Mylar Capacitor (chip)	0.082 16V J			01
* CN100	V4158600	Connector	230R(SCSI) 68P SE	CASCADE IN		06
* CN101	V4158600	Connector	230R(SCSI) 68P SE	CASCADE OUT		06
CN102	VZ581500	Header, Flat Cable	53320 96P SE			05
DA100	VV556300	Diode Array	DAN217 0.3A X2			01
-203	VV556300	Diode Array	DAN217 0.3A X2			01
EM100	VQ761400	EMI Filter (chip)	NFM40R01C101T1			01
EM101	VQ761400	EMI Filter (chip)	NFM40R01C101T1			01
EM102	VL534100	LC Filter	NFA81R00C101			05
-106	VL534100	LC Filter	NFA81R00C101			05
EM107	VQ761400	EMI Filter (chip)	NFM40R01C101T1			01
EM108	VQ761400	EMI Filter (chip)	NFM40R01C101T1			01
EM109	VL534100	LC Filter	NFA81R00C101			05
EM110	VQ761400	EMI Filter (chip)	NFM40R01C101T1			01
EM111	VQ761400	EMI Filter (chip)	NFM40R01C101T1			01
EM112	VL534100	LC Filter	NFA81R00C101			05
-115	VL534100	LC Filter	NFA81R00C101			05
EM116	VQ761400	EMI Filter (chip)	NFM40R01C101T1			01
EM117	VQ761400	EMI Filter (chip)	NFM40R01C101T1			01
EM118	FZ006970	LC Filter	LS MT Y223NB			02
* IC100	IS000400	IC	HD74LV04AFPEL	INVERTER		01
IC101	XU815A00	IC	DS26C32ATMX	LINE RECEIVER		06
IC102	XU815A00	IC	DS26C32ATMX	LINE RECEIVER		06
IC104	XU815A00	IC	DS26C32ATMX	LINE RECEIVER		06
-106	XU815A00	IC	DS26C32ATMX	LINE RECEIVER		06
IC107	XU996A00	IC	AM26LS31CNSR	LINE DRIVER		05
* IC108	IS000200	IC	HD74LV02AFPEL	NOR		01
IC110	XG948E00	IC	YM3436DK	DIR2		11
IC111	XU235A00	IC	SGH609080F-47F	ATSC		10
-114	XU235A00	IC	SGH609080F-47F	ATSC		10
IC115	XT487A00	IC	TC74VHC245F	TRANSCEIVER		03
IC116	XT487A00	IC	TC74VHC245F	TRANSCEIVER		03
* IC117	IS027300	IC	HD74LV273AFPEL	D-FF		02
* -119	IS027300	IC	HD74LV273AFPEL	D-FF		02
IC120	XU996A00	IC	AM26LS31CNSR	LINE DRIVER		05
-124	XU996A00	IC	AM26LS31CNSR	LINE DRIVER		05
IC125	XU815A00	IC	DS26C32ATMX	LINE RECEIVER		06
IC126	XG948E00	IC	YM3436DK	DIR2		11
IC127	XT487A00	IC	TC74VHC245F	TRANSCEIVER		03
-129	XT487A00	IC	TC74VHC245F	TRANSCEIVER		03
* IC130	IS003200	IC	HD74LV32AFPEL	OR		01
* IC131	IS013910	IC	SN74LV139ANSR	COUNTER		01
IC132	XT487A00	IC	TC74VHC245F	TRANSCEIVER		03
* IC133	IS027300	IC	HD74LV273AFPEL	D-FF		02
IC134	XT487A00	IC	TC74VHC245F	TRANSCEIVER		03
-138	XT487A00	IC	TC74VHC245F	TRANSCEIVER		03
* IC140	IS000800	IC	HD74LV08AFPEL	AND		01

*: New Parts

RANK: Japan only

REF NO.	PART NO.	DESCRIPTION		REMARKS	QTY	RANK
* IC141	IS000400	IC	HD74LV04AFPEL	INVERTER		01
* IC142	XW422A00	IC	M51953AFP	SYSTEM RESET		01
* IC143	XW422A00	IC	M51953AFP	SYSTEM RESET		01
L100	VS740100	Chip Inductance	BLM21B751S 2125			03
-111	VS740100	Chip Inductance	BLM21B751S 2125			03
RA100	RE047100	Resistor Array	10KX4			01
-103	RE047100	Resistor Array	10KX4			01
RA104	RE048100	Resistor Array	100KX4			01
-106	RE048100	Resistor Array	100KX4			01
RA107	RE047100	Resistor Array	10KX4			01
-109	RE047100	Resistor Array	10KX4			01
RA110	RE048100	Resistor Array	100KX4			01
RA111	RE048100	Resistor Array	100KX4			01
RA112	RE047100	Resistor Array	10KX4			01
-115	RE047100	Resistor Array	10KX4			01
	RD254100	Carbon Resistor (chip)	10.0 0.1 J			01
	RD255100	Carbon Resistor (chip)	100.0 0.1 J			01
	RD255150	Carbon Resistor (chip)	150.0 0.1 J			01
	RD255470	Carbon Resistor (chip)	470.0 0.1 J			01
	RD256100	Carbon Resistor (chip)	1.0K 0.1 J			01
	RD256330	Carbon Resistor (chip)	3.3K 0.1 J			01
	RD257100	Carbon Resistor (chip)	10.0K 0.1 J			01
	RD257220	Carbon Resistor (chip)	22.0K 0.1 J			01
	RD257470	Carbon Resistor (chip)	47.0K 0.1 J			01
	--	Circuit Board	DSP JK4	(V410520)(XW330A0)		
C112	UF037470	Electrolytic Cap. (chip)	47 16V			01
C134	UF037470	Electrolytic Cap. (chip)	47 16V			01
C160	UF038100	Electrolytic Cap. (chip)	100 16V			01
*	FG452270	Ceramic Capacitor	270P 50V K			
	UB245100	Monolithic Ceramic Cap.	F 0.1 25V Z			01
	UB445330	Monolithic Ceramic Cap.	F 0.33 16V Z			01
	VR327300	Mylar Capacitor (chip)	0.082 16V J			01
* CN100	V4158600	Connector	230R(SCSI) 68P SE	TO CONSOLE 1		06
* CN101	V4158600	Connector	230R(SCSI) 68P SE	TO CONSOLE 2		06
CN102	VZ581500	Header, Flat Cable	53320 96P SE			05
DA100	VV556300	Diode Array	DAN217 0.3A X2			01
-195	VV556300	Diode Array	DAN217 0.3A X2			01
EM100	VQ761400	EMI Filter (chip)	NFM40R01C101T1			01
EM101	VQ761400	EMI Filter (chip)	NFM40R01C101T1			01
EM102	VL534100	LC Filter	NFA81R00C101			05
-105	VL534100	LC Filter	NFA81R00C101			05
EM106	VQ761400	EMI Filter (chip)	NFM40R01C101T1			01
-109	VQ761400	EMI Filter (chip)	NFM40R01C101T1			01
EM110	VL534100	LC Filter	NFA81R00C101			05
-113	VL534100	LC Filter	NFA81R00C101			05
EM114	VQ761400	EMI Filter (chip)	NFM40R01C101T1			01
EM115	VQ761400	EMI Filter (chip)	NFM40R01C101T1			01
EM116	FZ006970	LC Filter	LS MT Y223NB			02
* IC100	IS000200	IC	HD74LV02AFPEL	NOR		01
* IC102	IS000400	IC	HD74LV04AFPEL	INVERTER		01
IC103	XU815A00	IC	DS26C32ATMX	LINE RECEIVER		06
-105	XU815A00	IC	DS26C32ATMX	LINE RECEIVER		06
IC106	XU996A00	IC	AM26LS31CNSR	LINE DRIVER		05
-108	XU996A00	IC	AM26LS31CNSR	LINE DRIVER		05
IC109	XU235A00	IC	SGH609080F-47F	ATSC		10
IC110	XU235A00	IC	SGH609080F-47F	ATSC		10
IC112	XG948E00	IC	YM3436DK	DIR2		11
IC113	XU815A00	IC	DS26C32ATMX	LINE RECEIVER		06
-115	XU815A00	IC	DS26C32ATMX	LINE RECEIVER		06
IC116	XU996A00	IC	AM26LS31CNSR	LINE DRIVER		05
IC117	XU996A00	IC	AM26LS31CNSR	LINE DRIVER		05
IC118	XU235A00	IC	SGH609080F-47F	ATSC		10
IC119	XU235A00	IC	SGH609080F-47F	ATSC		10
IC120	XG948E00	IC	YM3436DK	DIR2		11
* IC121	IS000400	IC	HD74LV04AFPEL	INVERTER		01
IC122	XT487A00	IC	TC74VHC245F	TRANSCEIVER		03
IC123	XT487A00	IC	TC74VHC245F	TRANSCEIVER		03
* IC124	IS013910	IC	SN74LV139ANSR	COUNTER		01
* IC125	IS003200	IC	HD74LV32AFPEL	OR		01

*: New Parts

RANK: Japan only

DSP1D

REFNO.	PART NO.	DESCRIPTION		REMARKS	QTY	RANK
* IC126	IS027300	IC	HD74LV273AFPEL	D-FF		02
IC127	XT487A00	IC	TC74VHC245F	TRANSCEIVER		03
-134	XT487A00	IC	TC74VHC245F	TRANSCEIVER		03
* IC140	IS000800	IC	HD74LV08AFPEL	AND		01
* IC141	IS000400	IC	HD74LV04AFPEL	INVERTER		01
* IC142	XW422A00	IC	M51953AFP	SYSTEM RESET		01
* IC143	XW422A00	IC	M51953AFP	SYSTEM RESET		01
L100	VS740100	Chip Inductance	BLM21B751S 2125			03
-120	VS740100	Chip Inductance	BLM21B751S 2125			03
RA101	RE047100	Resistor Array	10KX4			01
-104	RE047100	Resistor Array	10KX4			01
RA105	RE048100	Resistor Array	100KX4			01
RA106	RE048100	Resistor Array	100KX4			01
RA107	RE047100	Resistor Array	10KX4			01
RA108	RE047100	Resistor Array	10KX4			01
RA109	RE048100	Resistor Array	100KX4			01
-111	RE048100	Resistor Array	100KX4			01
RA112	RE047100	Resistor Array	10KX4			01
RA113	RE047100	Resistor Array	10KX4			01
	RD254100	Carbon Resistor (chip)	10.0 0.1 J			01
	RD255100	Carbon Resistor (chip)	100.0 0.1 J			01
	RD255150	Carbon Resistor (chip)	150.0 0.1 J			01
	RD255470	Carbon Resistor (chip)	470.0 0.1 J			01
	RD256100	Carbon Resistor (chip)	1.0K 0.1 J			01
	RD256330	Carbon Resistor (chip)	3.3K 0.1 J			01
	RD257100	Carbon Resistor (chip)	10.0K 0.1 J			01
	RD257220	Carbon Resistor (chip)	22.0K 0.1 J			01
	RD257470	Carbon Resistor (chip)	47.0K 0.1 J			01
	--	Circuit Board	DSP JK5	(V410530)(XW331B0)		
	--	Heat Sink	IC-A	(V579330)	4	
C102	UR866100	Electrolytic Cap.	1.00 50.0V			01
C103	UR866100	Electrolytic Cap.	1.00 50.0V			01
C106	UR867470	Electrolytic Cap.	47.00 50.0V			01
C116	UR848100	Electrolytic Cap.	100.00 25.0V			01
-118	UR848100	Electrolytic Cap.	100.00 25.0V			01
	FG652100	Ceramic Capacitor-SL	100P 50V J			01
	VF611200	Monolithic Ceramic Cap.	0.1 50V Z			02
	FZ004790	Monolithic Ceramic Cap.	0.1 50V Z			02
CN100	VZ581500	Header, Flat Cable	53320 96P SE			05
CN101	VY730000	Socket	17LE 9P SE	MACHINE CONTROL REMOTE		04
CN102	VR147400	D-Sub Connector	JBY 25P SE	GP1		05
D1	VB941200	Diode	1SS133,1SS176			01
-8	VB941200	Diode	1SS133,1SS176			01
D200	VB941200	Diode	1SS133,1SS176			01
D300	VB941200	Diode	1SS133,1SS176			01
D400	VB941200	Diode	1SS133,1SS176			01
D500	VB941200	Diode	1SS133,1SS176			01
EM100	FZ006920	LC Filter	LS MT B271KB			01
-127	FZ006920	LC Filter	LS MT B271KB			01
IC100	IG086700	IC	UPC319C	COMPARATOR		05
IC101	XU463A00	IC	SN75C1168N	LINE TRANSEIVER		05
IC102	IR027350	IC	SN74HC273N	D-FF		05
IC103	IR024500	IC	TC74HC245AP	TRANSEIVER		07
-105	IR024500	IC	TC74HC245AP	TRANSEIVER		07
IC106	IG040000	IC	NJM4560D	OP AMP		04
IC107	IR012550	IC	SN74HC125N	BUFFER		03
IC108	IR000400	IC	TC74HC04AP	INVERTER		03
IC109	VJ041400	Transistor Array	TD62381P			04
IC200	XZ001A00	IC	ELP05S09	DC-DC CONVERTER		08
* IC201	XW278A00	IC	DP8392CN	CTI		13
IC300	XZ001A00	IC	ELP05S09	DC-DC CONVERTER		08
* IC301	XW278A00	IC	DP8392CN	CTI		13
IC400	XZ001A00	IC	ELP05S09	DC-DC CONVERTER		08
* IC401	XW278A00	IC	DP8392CN	CTI		13
IC500	XZ001A00	IC	ELP05S09	DC-DC CONVERTER		08
* IC501	XW278A00	IC	DP8392CN	CTI		13
J1	--	Jumper Wire	0.55	(VA07890)		
-4	--	Jumper Wire	0.55	(VA07890)		
JK100	VL958600	XLM Connector	XLM-3-31PCV	TIME CODE IN		08

*: New Parts

RANK: Japan only

REF NO.	PART NO.	DESCRIPTION		REMARKS	QTY	RANK
JK200	VI552200	BNC Connector	YKS11-0 1P	COMMUNICATION 1 IN		05
JK300	VI552200	BNC Connector	YKS11-0 1P	COMMUNICATION 1 OUT		05
JK400	VI552200	BNC Connector	YKS11-0 1P	COMMUNICATION 2 IN		05
JK500	VI552200	BNC Connector	YKS11-0 1P	COMMUNICATION 2 OUT		05
* L200	V2571300	Pulse Transformer	TLA075-3E			08
* L300	V2571300	Pulse Transformer	TLA075-3E			08
* L400	V2571300	Pulse Transformer	TLA075-3E			08
* L500	V2571300	Pulse Transformer	TLA075-3E			08
R112	HV754100	Flame Proof C. Resistor	10.0 1/4 J			01
-120	HV754100	Flame Proof C. Resistor	10.0 1/4 J			01
R207	VC323900	Metal Film Resistor	100.0 1/4 F			01
R209	VC323900	Metal Film Resistor	100.0 1/4 F			01
R307	VC323900	Metal Film Resistor	100.0 1/4 F			01
R309	VC323900	Metal Film Resistor	100.0 1/4 F			01
R407	VC323900	Metal Film Resistor	100.0 1/4 F			01
R409	VC323900	Metal Film Resistor	100.0 1/4 F			01
R507	VC323900	Metal Film Resistor	100.0 1/4 F			01
R509	VC323900	Metal Film Resistor	100.0 1/4 F			01
	HF755510	Carbon Resistor	510.0 1/4 J			01
	HF756100	Carbon Resistor	1.0K 1/4 J			01
	HF756360	Carbon Resistor	3.6K 1/4 J			01
	HF756470	Carbon Resistor	4.7K 1/4 J			01
	HF757100	Carbon Resistor	10.0K 1/4 J			01
	HF757470	Carbon Resistor	47.0K 1/4 J			01
	HF758100	Carbon Resistor	100.0K 1/4 J			01
TH100	VV216100	Protector switch	RXE050 0.50A 60V			03
	--	Circuit Board	DSP JK6	(V410540)(XW332B0)		
	--	USB Angle		(V563370)		
C101	UF037220	Electrolytic Cap. (chip)	22 16V			01
C104	UF037100	Electrolytic Cap. (chip)	10 16V			01
-106	UF037100	Electrolytic Cap. (chip)	10 16V			01
C109	UF037100	Electrolytic Cap. (chip)	10 16V			01
C114	UF037100	Electrolytic Cap. (chip)	10 16V			01
C117	UF038100	Electrolytic Cap. (chip)	100 16V			01
C206	UF037470	Electrolytic Cap. (chip)	47 16V			01
	FG612180	Ceramic Capacitor	180P 50V K			
	UB051680	Monolithic Ceramic Cap.	SL 68P 50V J			01
	UB051330	Monolithic Ceramic Cap.	SL 33P 50V J			01
	UB052100	Monolithic Ceramic Cap.	SL 100P 50V J			01
	UB245100	Monolithic Ceramic Cap.	F 0.1 25V Z			01
	UB445330	Monolithic Ceramic Cap.	F 0.33 16V Z			01
	VR327300	Mylar Capacitor (chip)	0.082 16V J			01
CN100	VZ581500	Header, Flat Cable	53320 96P SE			05
CN101	VU196300	Socket	17LE-23090-27(D4CH	TO HOST SERIAL		04
CN103	V3671200	Jack	USB 4P TE	TO HOST USB		03
D100	VT332900	Diode	1SS355 TE-17			01
DA200	VV556300	Diode Array	DAN217 0.3A X2			01
DA201	VV556300	Diode Array	DAN217 0.3A X2			01
EM100	FZ006920	LC Filter	LS MT B271KB			01
-103	FZ006970	LC Filter	LS MT Y223NB			02
EM200	FZ006920	LC Filter	LS MT B271KB			01
EM201	FZ006920	LC Filter	LS MT B271KB			01
* IC100	IS000400	IC	HD74LV04AFPPEL	INVERTER		01
IC101	VN406200	Photo Coupler	HCPL-0600-500			05
IC102	XP113A00	IC	MAX202CSE	RS-232C		06
IC103	XT487A00	IC	TC74VHC245F	TRANSCEIVER		03
IC104	XT487A00	IC	TC74VHC245F	TRANSCEIVER		03
* IC105	XW583A00	IC	PDIUSB12PW	USB I/F		09
IC106	XT487A00	IC	TC74VHC245F	TRANSCEIVER		03
* IC107	IS001400	IC	HD74LV14AFPPEL	INVERTER		01
IC108	XP985A00	IC	SN74LS06NSR	INVERTER		
IC200	XU816A00	IC	SN75121NSR	LINE DRIVER		05
IC201	XV930A00	IC	SN75124NSR	LINE RECEIVER		05
IC202	XG948E00	IC	YM3436DK	DIR2		11
* IC203	XW422A00	IC	M51953AFP	SYSTEM RESET		01
IC204	XT487A00	IC	TC74VHC245F	TRANSCEIVER		03
* IC207	IS000800	IC	HD74LV08AFPPEL	AND		01
JK100	VI466400	DIN Connector	3DIN YKF51-5046	MIDI IN/OUT/THRU		04
JK200	VI552200	BNC Connector	YKS11-0 1P	WORD CLOCK OUT		05

*: New Parts

RANK: Japan only

REF NO.	PART NO.	DESCRIPTION		REMARKS	QTY	RANK
JK201	VI552200	BNC Connector	YKS11-0 1P			05
L100	VQ723100	Chip Inductance	EXC CL3225U 3	WORD CLOCK IN		01
-105	VQ723100	Chip Inductance	EXC CL3225U 3			01
L200	VS740100	Chip Inductance	BLM21B751S 2125			03
-202	VS740100	Chip Inductance	BLM21B751S 2125			03
RA100	RE048100	Resistor Array	100KX4			01
-103	RE048100	Resistor Array	100KX4			01
SW200	VQ907900	Slide Switch	SSSU112-S06N-1	WORD CLOCK 75ohm OFF/ON		01
X100	V4093500	Quartz Crystal Unit	6MHz SMD-49			03
	RD253470	Carbon Resistor (chip)	4.7 0.1 J			01
	RD254180	Carbon Resistor (chip)	18.0 0.1 J			01
	RD254470	Carbon Resistor (chip)	47.0 0.1 J			01
	RD254750	Carbon Resistor (chip)	75.0 0.1 J			01
	RD255100	Carbon Resistor (chip)	100.0 0.1 J			01
	RD155220	Carbon Resistor (chip)	220.0 1/4 J			01
	RD255470	Carbon Resistor (chip)	470.0 0.1 J			01
	RD156100	Carbon Resistor (chip)	1.0K 1/4 J			01
	RD256150	Carbon Resistor (chip)	1.5K 0.1 J			01
	RD256220	Carbon Resistor (chip)	2.2K 0.1 J			01
	RD256330	Carbon Resistor (chip)	3.3K 0.1 J			01
	RD257100	Carbon Resistor (chip)	10.0K 0.1 J			01
*	V4439500	Circuit Board	DSP LED2 (SWCOM)	(XW624B0)		10
*	V5048000	Circuit Board	DSP PSB2 (SWCOM)	(XW624B0)		08
	--	Jumper Wire	0.55	(VA07890)		
C200	V3311600	Capacitor	0.01 250V J.U.C.S			01
	VF611200	Monolithic Ceramic Cap.	0.1 50V Z			02
CN101	VB858900	Connector Base Post	PH-10P SE			01
CN200	LB933030	Base Post Connector	VH- 3P SE			01
IC101	VJ041400	Transistor Array	TD62381P			04
LD101	VR080300	LED	SLR-342MG3F GR	ENGINE A/B,COMMUNICATION		01
-106	VR080300	LED	SLR-342MG3F GR	1/2,48CH,96CH		01
SP101	VB397800	LED Spacer				01
-106	VB397800	LED Spacer				01
SW200	V3127000	Push Switch	ESB92S23B J.U.C.S	POWER ON/OFF		02
	HF755220	Carbon Resistor	220.0 1/4 J			01
	HF757100	Carbon Resistor	10.0K 1/4 J			01
*	V4407900	Circuit Board	DSP MB11	(XW592A0)		34
CN101	VZ581300	Receptacle	52480 96P TE	SLOT PDB		05
-103	VZ581300	Receptacle	52480 96P TE			05
CN104	LB932040	Base Post Connector	VH- 4P TE			01
CN201	VZ581300	Receptacle	52480 96P TE	SLOT GDB		05
-203	VZ581300	Receptacle	52480 96P TE			05
CN204	LB932050	Base Post Connector	VH- 5P TE			01
CN301	VZ581300	Receptacle	52480 96P TE	SLOT IDB		05
-303	VZ581300	Receptacle	52480 96P TE			05
CN304	LB932040	Base Post Connector	VH- 4P TE			01
CN401	VZ581300	Receptacle	52480 96P TE	SLOT IDB		05
-403	VZ581300	Receptacle	52480 96P TE			05
CN404	LB932050	Base Post Connector	VH- 5P TE			01
CN501	VZ581300	Receptacle	52480 96P TE	SLOT EDB		05
-503	VZ581300	Receptacle	52480 96P TE			05
CN504	LB932040	Base Post Connector	VH- 4P TE			01
CN601	VZ581300	Receptacle	52480 96P TE	SLOT EMB		05
-603	VZ581300	Receptacle	52480 96P TE			05
CN604	LB932040	Base Post Connector	VH- 4P TE			01
CN701	VZ581300	Receptacle	52480 96P TE	SLOT CIB		05
-703	VZ581300	Receptacle	52480 96P TE			05
CN801	--	Header, Flat Cable	5332 50P TE	(V414590)		
CN802	--	Header, Flat Cable	5332 50P TE	(V414590)		
CN803	VB390400	Connector Base Post	PH- 8P TE			01
*	V4112800	Circuit Board	DSP PDB	(XW349B0)		
	--	Ejector	CBE-2P	(V498570)	2	
C950	UF118330	Electrolytic Cap. (chip)	330 6.3V UUR0J3			01
C951	UF118330	Electrolytic Cap. (chip)	330 6.3V UUR0J3			01
	UB245100	Monolithic Ceramic Cap.	F 0.1 25V Z			01
	UB012470	Monolithic Ceramic Cap.	B 470P 50V K			01
CN100	VB858400	Connector Base Post	PH- 5P SE			01

*: New Parts

RANK: Japan only

REF NO.	PART NO.	DESCRIPTION		REMARKS	QTY	RANK
CN200	VB390600	Connector Base Post	PH-10P TE			01
CN900	VZ581500	Header, Flat Cable	53320 96P SE			05
-902	VZ581500	Header, Flat Cable	53320 96P SE			05
CN950	--	Header, Flat Cable	5342 50P SE	(V419270)		
CN951	--	Header, Flat Cable	5332 30P TE	(V414610)		
CN952	--	Header, Flat Cable	5342 50P SE	(V419270)		
CN953	--	Header, Flat Cable	5332 30P TE	(V414610)		
CN954	--	Header, Flat Cable	5332 50P TE	(V414590)		
-956	--	Header, Flat Cable	5332 50P TE	(V414590)		
CN957	--	Header, Flat Cable	5332 14P TE	(V419280)		
EM950	FZ006970	LC Filter	LS MT Y223NB			02
EM951	FZ006970	LC Filter	LS MT Y223NB			02
* IC100	IS003200	IC	HD74LV32AFPEL	OR		01
IC101	XY715A00	IC	HD6477042AF28	CPU		10
* IC102	IS000800	IC	HD74LV08AFPEL	AND		01
* IC103	IS000800	IC	HD74LV08AFPEL	AND		01
IC104	XY837A00	IC	IC-PST593DMT	SYSTEM RESET		02
IC105	XT487A00	IC	TC74VHC245F	TRANSCEIVER		03
IC106	XV242A00	IC	TC74VHCT245AF	TRANSCEIVER		03
IC107	XV729A00	IC	IDT71016S15Y-TR	SRAM 1M		09
* IC108	IS003200	IC	HD74LV32AFPEL	OR		01
* IC109	IS000400	IC	HD74LV04AFPEL	INVERTER		01
IC110	XV242A00	IC	TC74VHCT245AF	TRANSCEIVER		03
IC111	XT487A00	IC	TC74VHC245F	TRANSCEIVER		03
IC112	XT487A00	IC	TC74VHC245F	TRANSCEIVER		03
* IC114	XV685A00	IC	MBM29F400BC-70PFTN	FLASH ROM 4M		11
* IC115	IS000500	IC	HD74LV05AFPEL	INVERTER		01
IC200	XV242A00	IC	TC74VHCT245AF	TRANSCEIVER		03
-202	XV242A00	IC	TC74VHCT245AF	TRANSCEIVER		03
* IC203	XY729B00	IC	EPM7128AETC144-12	FPGA		
IC204	XT487A00	IC	TC74VHC245F	TRANSCEIVER		03
-206	XT487A00	IC	TC74VHC245F	TRANSCEIVER		03
* IC250	XV989A00	IC	YSS904-F	DSP5		11
* IC251	XV989A00	IC	YSS904-F	DSP5		11
* IC300	XV989A00	IC	YSS904-F	DSP5		11
* IC301	XV989A00	IC	YSS904-F	DSP5		11
* IC350	XV989A00	IC	YSS904-F	DSP5		11
* IC351	XV989A00	IC	YSS904-F	DSP5		11
* IC400	XV989A00	IC	YSS904-F	DSP5		11
* IC401	XV989A00	IC	YSS904-F	DSP5		11
* IC450	XV989A00	IC	YSS904-F	DSP5		11
IC500	XV988A00	IC	YSS910-S	DSP6		10
IC501	XV932A00	IC	MSM5118160D-60J	DRAM 16M		12
IC502	XV932A00	IC	MSM5118160D-60J	DRAM 16M		12
IC503	XT487A00	IC	TC74VHC245F	TRANSCEIVER		03
IC504	XT487A00	IC	TC74VHC245F	TRANSCEIVER		03
IC505	XV988A00	IC	YSS910-S	DSP6		10
IC550	XV988A00	IC	YSS910-S	DSP6		10
IC551	XV988A00	IC	YSS910-S	DSP6		10
IC600	XV988A00	IC	YSS910-S	DSP6		10
IC601	XV932A00	IC	MSM5118160D-60J	DRAM 16M		12
IC602	XV932A00	IC	MSM5118160D-60J	DRAM 16M		12
IC603	XV988A00	IC	YSS910-S	DSP6		10
IC650	XV988A00	IC	YSS910-S	DSP6		10
IC700	XV988A00	IC	YSS910-S	DSP6		10
IC701	XV988A00	IC	YSS910-S	DSP6		10
* IC750	XV989A00	IC	YSS904-F	DSP5		11
* IC751	XV989A00	IC	YSS904-F	DSP5		11
IC800	XT487A00	IC	TC74VHC245F	TRANSCEIVER		03
-822	XT487A00	IC	TC74VHC245F	TRANSCEIVER		03
IC850	XT487A00	IC	TC74VHC245F	TRANSCEIVER		03
-872	XT487A00	IC	TC74VHC245F	TRANSCEIVER		03
IC900	XV242A00	IC	TC74VHCT245AF	TRANSCEIVER		03
IC901	XT487A00	IC	TC74VHC245F	TRANSCEIVER		03
-904	XT487A00	IC	TC74VHC245F	TRANSCEIVER		03
* LD100	V4095700	LED	PG1113F GR	MONI1-4		01
* -103	V4095700	LED	PG1113F GR			01
RA100	RE047100	Resistor Array	10KX4			01
-114	RE047100	Resistor Array	10KX4			01
RA200	RE047100	Resistor Array	10KX4			01

*: New Parts

RANK: Japan only

REF NO.	PART NO.	DESCRIPTION		REMARKS	QTY	RANK
RA201	RE047100	Resistor Array	10KX4			01
RA202	RE048100	Resistor Array	100KX4			01
RA203	RE047100	Resistor Array	10KX4			01
RA204	RE048100	Resistor Array	100KX4			01
RA205	RE047100	Resistor Array	10KX4			01
RA206	RE048100	Resistor Array	100KX4			01
RA207	RE047100	Resistor Array	10KX4			01
RA208	RE048100	Resistor Array	100KX4			01
RA209	RE047100	Resistor Array	10KX4			01
-220	RE047100	Resistor Array	10KX4			01
RA228	RE047100	Resistor Array	10KX4			01
RA250	RE047100	Resistor Array	10KX4			01
-265	RE047100	Resistor Array	10KX4			01
RA300	RE047100	Resistor Array	10KX4			01
-315	RE047100	Resistor Array	10KX4			01
RA350	RE047100	Resistor Array	10KX4			01
-357	RE047100	Resistor Array	10KX4			01
RA400	RE047100	Resistor Array	10KX4			01
-419	RE047100	Resistor Array	10KX4			01
RA450	RE047100	Resistor Array	10KX4			01
-455	RE047100	Resistor Array	10KX4			01
RA500	RE047100	Resistor Array	10KX4			01
-507	RE047100	Resistor Array	10KX4			01
RA600	RE047100	Resistor Array	10KX4			01
-607	RE047100	Resistor Array	10KX4			01
RA800	RE048100	Resistor Array	100KX4			01
-845	RE048100	Resistor Array	100KX4			01
RA850	RE048100	Resistor Array	100KX4			01
-853	RE048100	Resistor Array	100KX4			01
RA900	RE048100	Resistor Array	100KX4			01
-903	RE048100	Resistor Array	100KX4			01
RA950	RE048100	Resistor Array	100KX4			01
-961	RE048100	Resistor Array	100KX4			01
TP706	VE340300	Test Pin	IRS-1169			01
TP707	VE340300	Test Pin	IRS-1169			01
TP710	VE340300	Test Pin	IRS-1169			01
* X100	V3990700	Ceramic Resonator	CSTCC7.16MG0H6-TC			01
X500	VZ156100	Quartz Crystal Unit	60MHz DSO751S			06
	RD250000	Carbon Resistor (chip)	0.0 0.0 J			01
	RD255200	Carbon Resistor (chip)	200.0 0.1 J			01
	RD255330	Carbon Resistor (chip)	330.0 0.1 J			01
	RD256300	Carbon Resistor (chip)	3.0K 0.1 J			01
	RD257100	Carbon Resistor (chip)	10.0K 0.1 J			01
*	V4704900	Power Supply Unit	DSP-DC J,UL,CSA			98
	VR627300	Motor	DC PUDC12B4	Fan	2	12
*	V5065200	AC Inlet	M1908-C 3P			03
	VN103500	Lithium Battery	CR2032			03

*: New Parts

RANK: Japan only